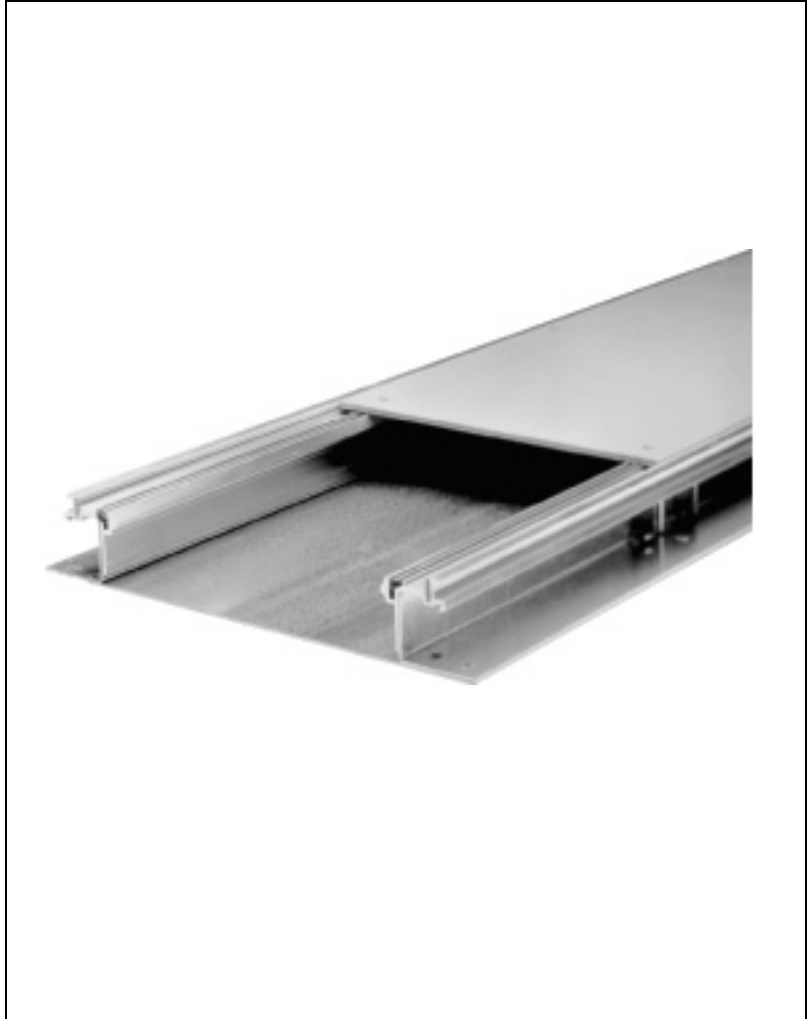


Trench Duct

Catalog
July

05

Class 5230



Trench Duct

CONTENTS

APPLICATION 5

 Product Description 5

 Standard Sizes and Types 5

UNASSEMBLED TRENCH DUCT COMPONENTS 6

 Side Rail Assembly 6

 U-Trough and Z-Dividers 6

 Vertical Elbows and Risers with Cabinet Connectors 6

 Cover Plates 7

 Bottom Plates 7

 Support Post Strips 7

 End Closures 7

 Spacer Bar and Partition

 Height Adjustment Gauge 7

 Railway Trench Duct 8

 Bottom Plates 8

 Cover Plates 8

 Bottom Plates for Elbows 9

 Tee-RT 9

 Horizontal Elbow-RL 9

FACTORY ASSEMBLED TRENCH DUCT 10

 Tee 11

 Cross 11

 Horizontal Elbow 12

ACCESSORIES 13

 U-Compartment 13

 Z-Divider 13

 Support Post Strip 13

 Vertical Elbow 14

 Panel Rise and Connector 14

 End Closure 14

 Space Bar 14

 Leveling Legs 15

 Trench Duct Support Channel 15

 Tape 15

 Metal Grommets 15

 Plastic Grommets 15

 Cover Lifter 15

 Straight Thru Tunnel 16

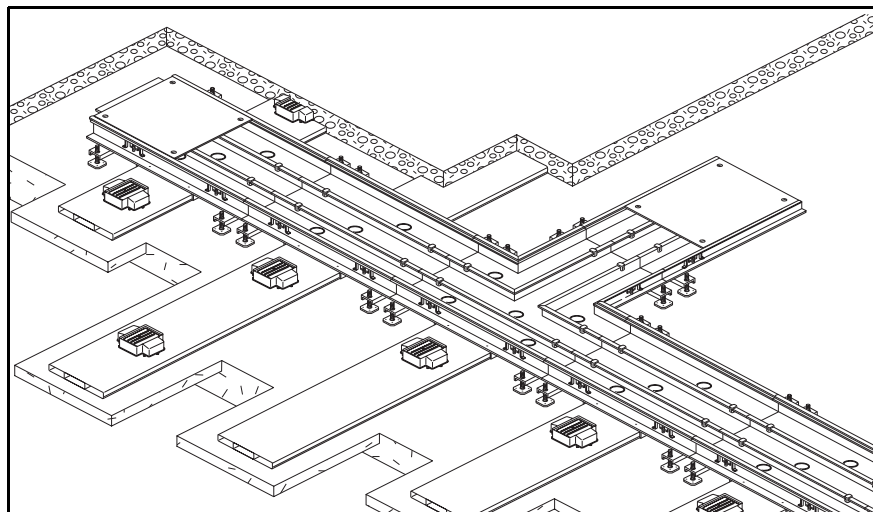
 90° Elbow Tunnel 16

UN-ASSEMBLED RAILWAY TRENCH DUCT SPECIFICATIONS 18

FACTORY ASSEMBLED RAIL-WAY TRENCH DUCT SPECIFICATIONS 19

Trench Duct

APPLICATION



Product Description

Trench duct is a flush electrical raceway system. It is commonly used as:

- a feeder for the cells of a cellular steel floor system.
- a feeder for the distribution ducts of an underfloor duct system.
- a flush self-contained raceway system for computer areas, laboratories, and medical imaging facilities.

Standard Sizes and Types

Standard trench duct cover plate widths are:

- 6 in. (152 mm)
- 9 in. (229 mm)
- 12 in. (305 mm)
- 18 in. (457 mm)
- 24 in. (610 mm)
- 27 in. (686 mm)
- 30 in. (762 mm)
- 36 in. (914 mm)
-

Trench ducts can be one compartment or divided into two or three compartments to separate different services. Other widths, depths, and numbers of compartments can be manufactured for special applications.

Trench duct is available in the following system types:

- Unassembled—bottomless
- Unassembled—intermittent bottom
- Factory-assembled

All three systems are Underwriters Laboratories® (UL®) listed and basically the same, with differences only in which components are used and the method of assembly.

Trench Duct Unassembled Trench Duct Components

UNASSEMBLED TRENCH DUCT COMPONENTS

Side Rail Assembly

Side rail assemblies are the heart of the railway system. They are furnished in 10 ft. (3 m) lengths and are positioned opposite each other by the use of spacer bars to form the various widths of trench duct. Side rails are coupled together and aligned by a wraparound coupler and aligner. Two screws in the coupler engage abutting side rails and assure continuity of ground.

The side rail assemblies have a full 1 in. (25 mm) of height adjust.

- 2.375–3.375 in. adjustability (60–86 mm) for 2.5 in. (64 mm) deep Trench
- 3–4 in. adjustability (76–102 mm) for 3.25 in. (83 mm) deep Trench

Side rail assemblies have a longitudinal slot along the full length of the extrusion to accept the cover plate hold-down screws. This permits cover plates to be placed anywhere along the run of trench without the restriction of fixed cover plate screw-hole locations. The bottom flange of this assembly forms a continuous weld tab along the entire length of the trench.

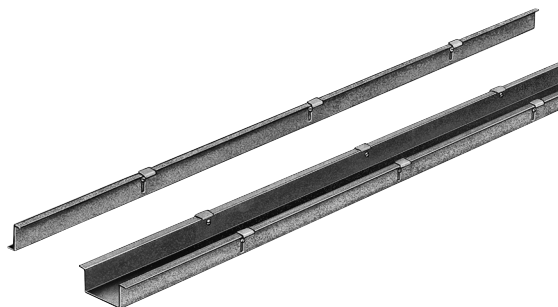


U-Trough and Z-Dividers

Most trench duct systems contain wiring for more than one type of service. Separation of the various services must be maintained.

A U-trough is used as the power compartment in bottomless trench ducts with cellular floor systems.

The Z-divider is used in bottom type trench systems.

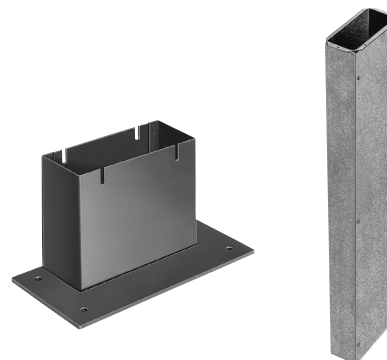


Vertical Elbows and Risers with Cabinet Connectors

A vertical elbow is a short section of trench duct with a riser welded to it. A vertical elbow can be mounted directly onto the side rail assemblies of the trench duct. The longitudinal screw slot in the side rail assemblies allows for tolerance, thereby enabling an exact positioning of the elbow.

The riser is manufactured to slip-fit on the elbow. One face of the riser is removable, allowing easy access for pulling wire and cable. A matching cabinet connector is manufactured to slip-fit on the riser and attach to the underside of a standard depth power panel tub.

A riser and cabinet connector, used as a power feeder, always uses a vertical elbow. However, a riser and cabinet connector are seldom used as a telephone feeder. Open telephone cabling from the vertical elbow to a terminal board is permissible and most often preferable.



Trench Duct Unassembled Trench Duct Components

Cover Plates

Cover plates are made of 0.25 in. (6 mm) nominal thickness steel, phosphatized with a baked enamel finish. Cover plate screw holes accommodate a 0.12 in. (3 mm) high pan-head screw for tile floor finishes, or flat head screws that finish flush for carpet installations. Screw holes in the opposite corners are threaded so that a 0.37 in. (10 mm) lifting bolt can be used for removing and replacing covers. Suction cups can also be used to remove covers.

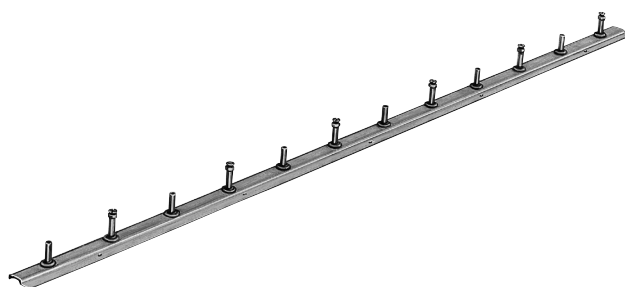
Bottom Plates

Bottom plates are 5 ft. (1.5 m) long for ease of handling and are manufactured of 14-gauge galvanized steel. The width of the bottom plates is 3 in. (76 mm) wider than the cover plates.

Support Post Strips

Underwriters Laboratories® permits 16.125 in. (409 mm) of free support span for cover plates. This is to control the amount of deflection and permanent set encountered in normal office floor loadings. The support post strip is available where needed, to provide intermediate support in bottomless trench duct.

The support posts are mounted on a 5 ft. (1.5 m) channel and are adjustable to the underside of the cover plate. A nut locks the post firmly in place. The adjustable support posts are welded directly to the trench bottom plate in the factory-assembled bottom-type trench.



End Closures

End closures by design, close the end of a system run. They have a "0" length, thereby causing no field application problems related to length of runs. The end closure screws into the slot provided in the side rail assembly.

The slot has an upward and downward adjustment to correspond to the adjustment of the side rail assemblies.



Spacer Bar and Partition Height Adjustment Gauge

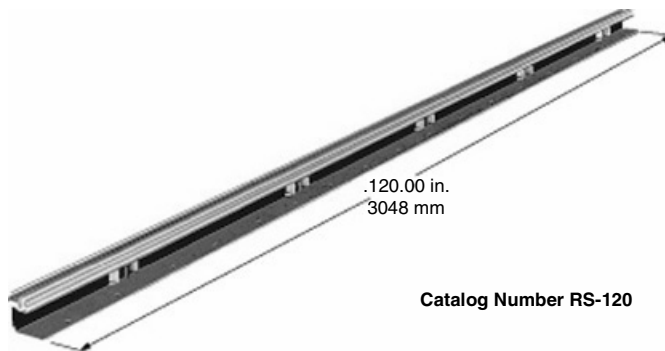
The spacer bar is used to establish exact width by placing two pins in either end of the bar to which engages the cover plate screw slot. After the side rail assemblies are adjusted to proper height, you can reverse the bar (with the pins up) to become a gauge for accurate partition adjustment.



Trench Duct Unassembled Trench Duct Components

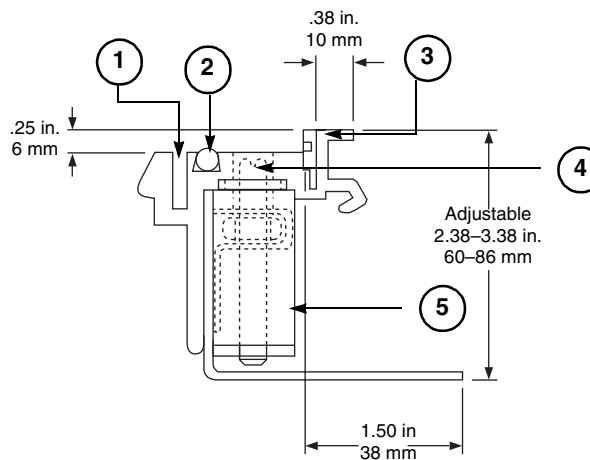
Railway Trench Duct

Use 10 ft. (3 m) long trench duct rail assemblies and other components listed below to field-assemble trench duct to fit specific job requirements. Side rail assemblies can be field cut to meet job conditions. Cover plates are shipped separately. Longitudinal slot for cover plate screws in side rail assembly permits random placement of cover plates. Cover plates are a standard 2 ft. (0.61 m) long and can be modified to suit odd lengths of trench duct runs. Spacer bars assure correct width and partition height adjustment. Illustrated installation instructions are included with all orders.



Catalog Number RS-120

1. Cover plate screw slot
2. Cover plate gasket
3. 0.125 in. (3 mm) or 0.0625 in. (2 mm) Wide – reversible tile trim
4. Adjusting screw - 5 per rail
5. Concrete locking lug



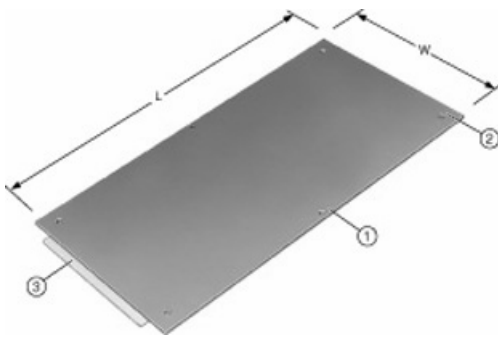
Catalog Number	Weight	
	Lbs.	Kg.
RS-120	20.0	10

For device with 3–4 in. (76–102 mm) adjustment range, add -3 suffix (RS120-3)

Cover Plates

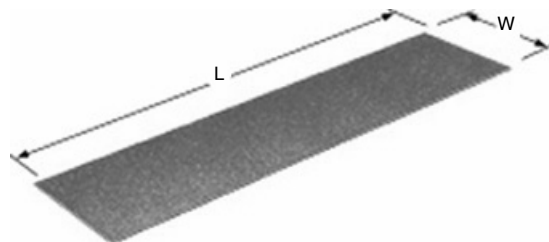
1. 0.25 in. (6 mm) nominal thick steel plates
2. Four clearance holes for cover plate hold-down screws. Two are tapped for the use of a 0.375 in. (10 mm) bolt as a lifting device
3. Gasket support

NOTE: 12 in. (305 mm) long coverplates are available.



Catalog Number	Width-W		Length-L	
	in.	mm	in.	mm
RCP0624	6	152	24	610
RCP0924	9	229	24	610
RCP1224	12	305	24	610
RCP1824	18	457	24	610
RCP2424	24	610	24	610
RCP2724	27	686	24	610
RCP3024	30	762	24	610
RCP3624	36	914	24	610

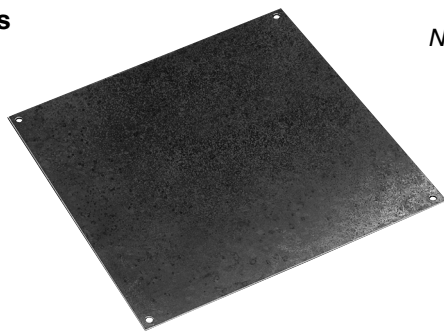
Bottom Plates



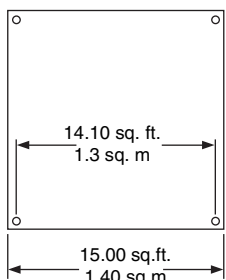
Catalog Number	Width-W		Length-L	
	in.	mm	in.	mm
RB06-60	9	228	60	1524
RB09-60	12	305	60	1524
RB12-60	15	381	60	1524
RB18-60	21	533	60	1524
RB24-60	27	686	60	1524
RB27-60	30	762	60	1524
RB30-60	33	838	60	1524
RB36-60	39	991	60	1524

Trench Duct Unassembled Trench Duct Components

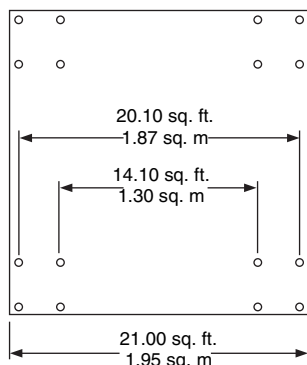
Bottom Plates for Elbows



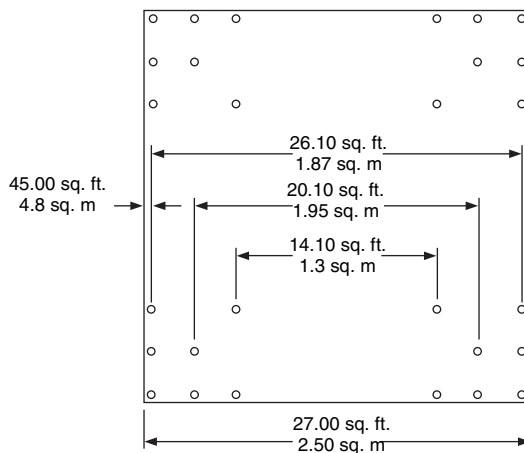
NOTE: All holes are 0.312 in. (8 mm) in. diameter



Catalog Number RTL12

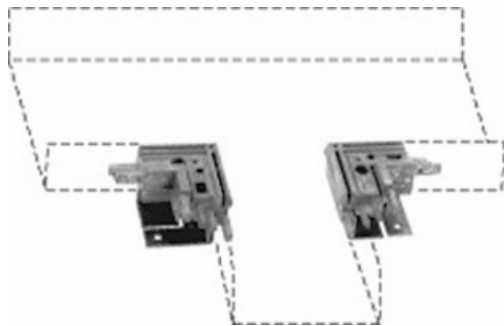


Catalog Number RTL18

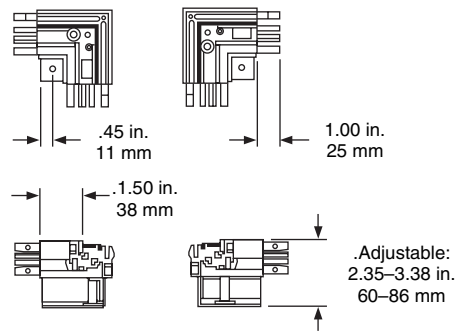


Catalog Number RTL24

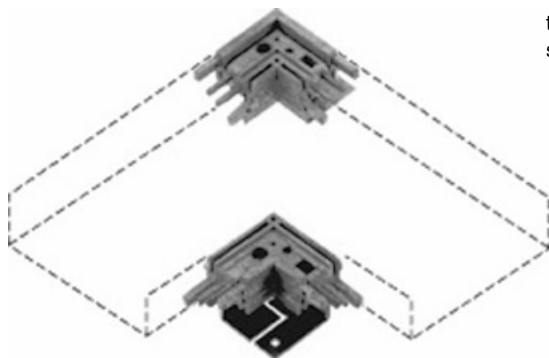
Tee-RT



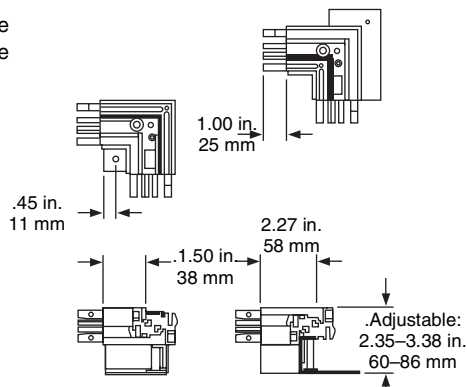
When a RT25 or RT3 is ordered, the two corner assemblies shown are furnished.



Horizontal Elbow-RL



When a RL is ordered, the two corner assemblies are shown shipped.

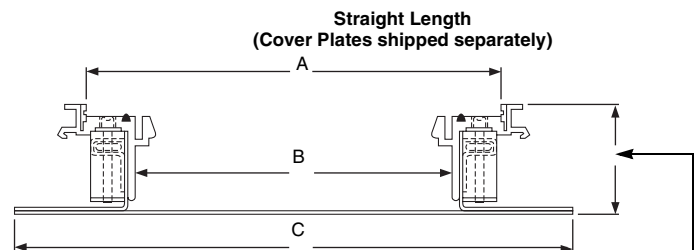


Trench Duct Factory Assembled Trench Duct

FACTORY ASSEMBLED TRENCH DUCT

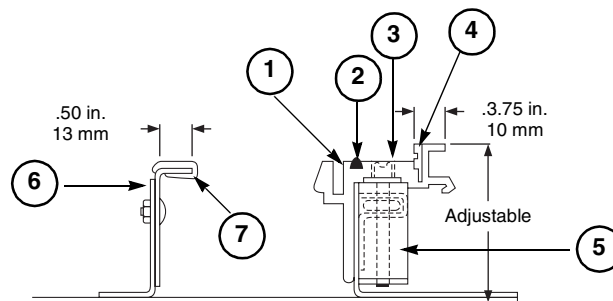
STRAIGHT LENGTHS

1. Standard length of trench duct is 10 ft. (3 m). Cover plates are shipped separately.
2. Features of trench duct are as follows:
 - a. Trench duct width is cover plate width.
 - b. Tub width is trench duct width less 1.875 in. (48 mm).
 - c. Overall width (bottom flange to flange) is 3 in. (76 mm) wider than trench duct width.
 - d. Standard depth is adjustable from 2.375–3.375 in. (61–86 mm). Also available as standard depth adjustable from 3–4 in. (76–102 mm). Other depths available.
 - e. Tees, crosses, and horizontal elbows are shipped complete with cover plates assembled.
 - f. Gray vinyl tile trim is furnished as standard. Aluminum is available when requested.
3. The following features are available:
 - a. Cover plate support post.
 - b. Double tile trim on two sides of covers.
 - c. Double tile trim on four sides of covers.
 - d. Clip covers.
 - e. Underfloor duct connections into sides of trench.
 - f. Underfloor duct connections into the bottom of trench.
 - g. Tunnels in horizontal elbows, tees and crosses



Assembly has a 1 in. adjustment. Standards are 2.375–3.375 in. (61–86 mm) 2.5 in. (64 mm) depth and 3–4 in. (76–102 mm) for 3.25 in. (83 mm) depth.

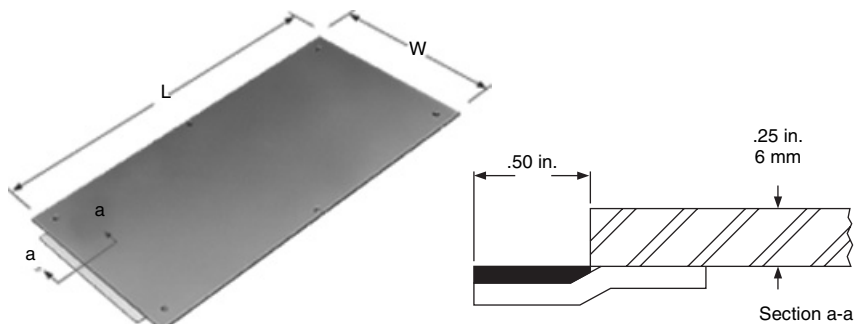
Trench Width		Cover Plate Width-A		Bottom Plate Width-B		Tub Width-C		Tub Assembly Length	
in.	mm	in.	mm	in.	mm	in.	mm	in.	mm
6	152	6	152	9	229	4.10	104	120	3048
9	229	9	229	12	305	7.10	180	120	3048
12	305	12	305	15	381	10.10	257	120	3048
18	457	18	457	21	533	16.10	409	120	3048
24	610	24	610	27	686	22.10	561	120	3048
27	686	27	686	30	762	25.10	638	120	3048
30	762	30	762	33	838	28.10	714	120	3048
36	914	36	914	39	914	34.10	866	120	3048



1. Cover plate screw slot
2. Cover plate gasket
3. Adjusting screw – 5 per rail
4. 0.125 in. (3 mm) wide – reversible tile trim
5. Concrete locking lug
6. Adjustable height partition
7. Plastic sound dampener

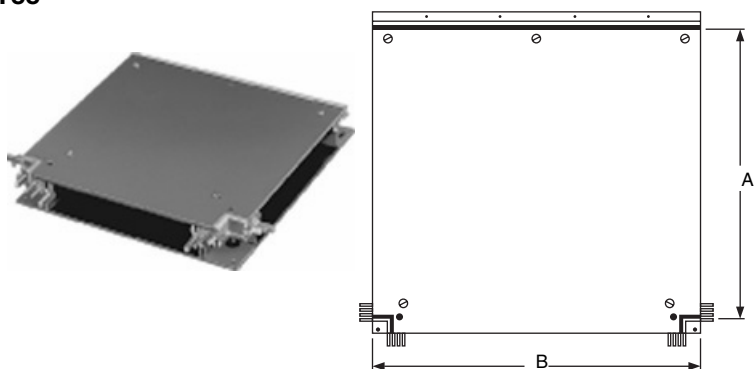
Trench Duct Factory Assembled Trench Duct

Cover Plates (ordered separately)



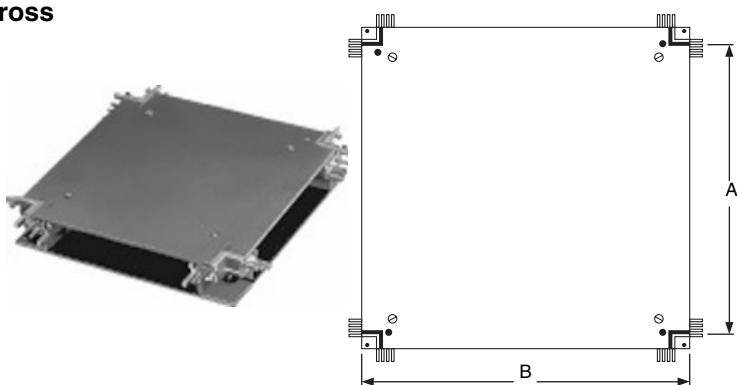
Catalog Number	Width-W		Length-L	
	in.	mm	in.	mm
RCP0624	6	152	24	610
RCP0924	9	229	24	610
RCP1224	12	305	24	610
RCP1824	18	457	24	610
RCP2424	24	610	24	610
RCP2724	27	686	24	610
RCP3024	30	762	24	610
RCP3624	36	914	24	610

Tee



Catalog Number	Width		Weight	
	in.	mm	Lbs.	Kg.
RTV 062100-011	6	152	8	4
RTV 092100-014	9	229	16	7
RTV 122100-017	12	305	24	11
RTV 182100-023	18	457	44	20
RTV 242100-029	24	610	71	32
RTV 272100-032	27	686	93	42
RTV 302100-035	30	712	111	50
RTV 362100-041	36	915	153	69

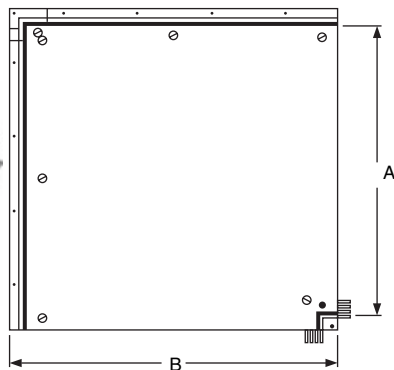
Cross



Catalog Number	Width		Weight	
	in.	mm	Lbs.	Kg.
RXV 062100-012	6	152	15	7
RXV 092100-015	9	229	19	9
RXV 122100-018	12	305	23	10
RXV 182100-024	18	457	42	19
RXV 242100-030	24	610	68	31
RXV 272100-033	27	686	88	40
RXV 302100-036	30	712	106	48
RXV 362100-042	36	915	147	67

Trench Duct Factory Assembled Trench Duct

Horizontal Elbow



Catalog Number	Width		Weight	
	in.	mm	Lbs.	Kg.
RHV 062100-009	6	152	8	4
RHV 092100-012	9	229	15	7
RHV 122100-015	12	305	23	10
RHV 182100-021	18	457	43	20
RHV 242100-027	24	610	70	32
RHV 272100-030	27	686	91	41
RHV 302100-033	30	712	100	45
RHV 362100-039	36	915	161	73

Trench Width		Cover Plate Width-A		Bottom Plate Width-B		Tub Width-C	
in.	mm	in.	mm	in.	mm	in.	mm
6	152	6	152	9	229	4.10	104
9	229	9	229	12	305	7.10	180
12	305	12	305	15	381	10.10	257
18	457	18	457	21	533	16.10	409
24	610	24	610	27	686	22.10	561
27	686	27	686	30	762	25.10	638
30	762	30	762	33	838	28.10	714
36	914	36	914	39	914	34.10	866

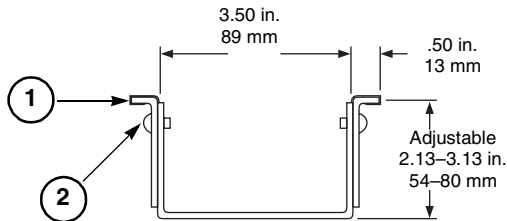
Cover plates are furnished in place as part of these devices

Trench Duct Accessories

ACCESSORIES

NOTE: All part numbers shown are for use with trench duct that is adjustable from 2.37–3.37 in. (61–86 mm). For devices to be used with 3–4 in. (76–102 mm) adjustable trench, add -3 suffix to all part numbers shown.

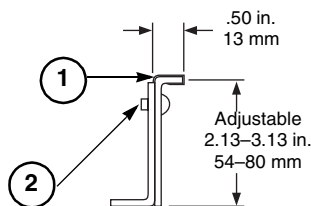
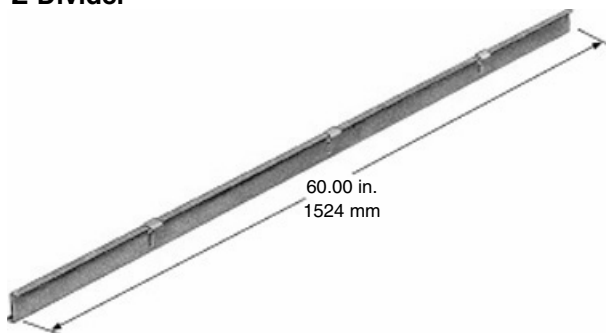
U-Compartment



1. Plastic sound dampeners
2. Temporary 10–24 in. holding screw for adjustable partitions

Catalog Number	Weight	
	Lbs.	Kg.
RUC-60	24	11

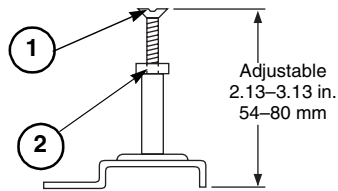
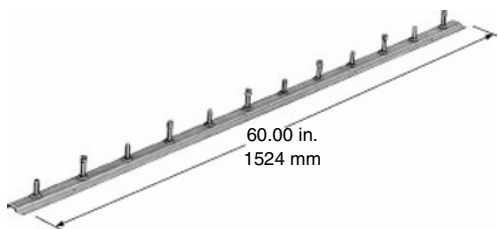
Z-Divider



1. Plastic sound dampeners
2. Temporary holding screw for adjustable partitions

Catalog Number	Weight	
	Lbs.	Kg.
RZD-60 A	10	5

Support Post Strip

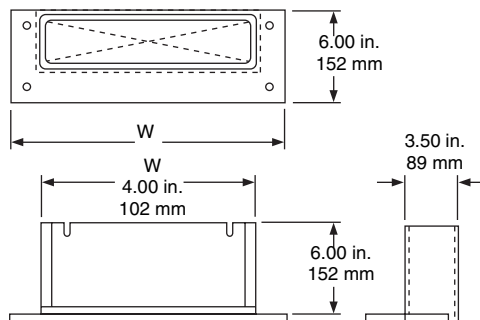


1. Support post screw
2. Lock nut

Catalog Number	Weight	
	Lbs.	Kg.
RSP-60	6	3

Trench Duct Accessories

Vertical Elbow

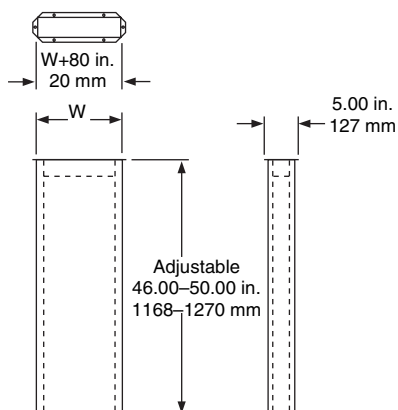


Catalog Number	Width	
	in.	mm
RVE-06	6	152
RVE-09	9	229
RVE-12	12	305
RVE-18	18	457
RVE-24	24	610
RVE-27	27	686
RVE-30	30	762
RVE-36	36	914

Panel Rise and Connector

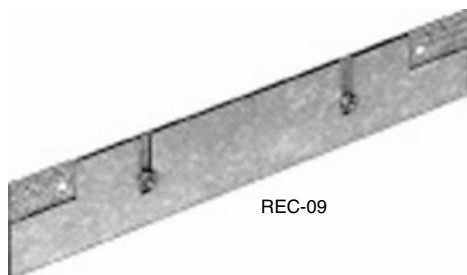


RRC-09

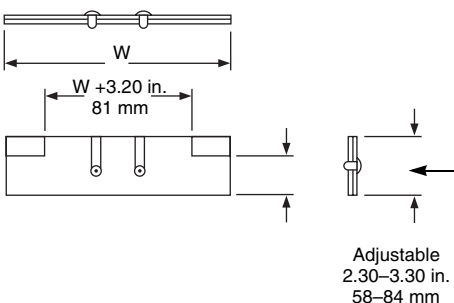


Catalog Number	Width	
	in.	mm
RRC-06	2	51
RRC-09	5	127
RRC-12	8	203
RRC-18	14	356
RRC-24	20	508
RRC-27	23	584
RRC-30	26	660
RRC-36	32	813

End Closure

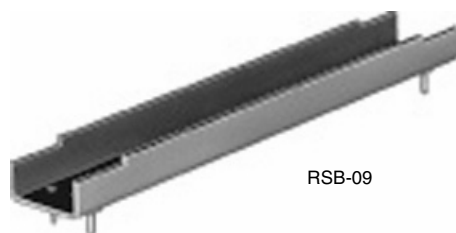


REC-09

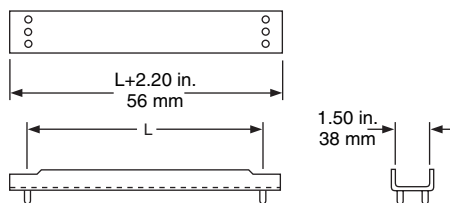


Catalog Number	Width	
	in.	mm
REC-06	6.50	165
REC-09	9.50	241
REC-12	12.50	318
REC-18	18.50	470
REC-24	24.50	622
REC-27	27.50	699
REC-30	30.50	775
REC-36	36.50	927

Space Bar



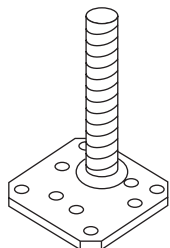
RSB-09



Catalog Number	Length-L	
	in.	mm
RSB-06	4	102
RSB-09	7	178
RSB-12	10	254
RSB-18	16	406
RSB-24	22	569
RSB-27	25	635
RSB-30	28	711
RSB-36	34	864

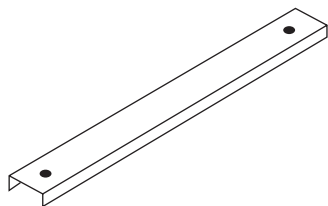
Trench Duct Accessories

Leveling Legs



Catalog Number	Description	Weight	
		Lbs.	Kg.
G1910-2	2 in. (51 mm) Leveling Leg for Support Channel	0.19	0.09
G1910-3	3 in. (76 mm) Leveling Leg for Support Channel	0.21	0.09
G1910-4	4 in. (102 mm) Leveling Leg for Support Channel	0.23	0.10
G1910-6	5 in. (127 mm) Leveling Leg for Support Channel	0.27	0.12

Trench Duct Support Channel

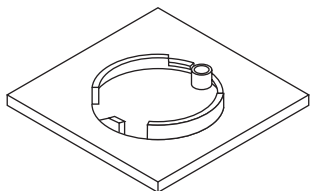


Catalog Number	Description	Weight	
		Lbs.	Kg.
G1500-T12	Support channel for 9 in. (229 mm) and 12 in. (305 mm) wide trench	1.30	0.60
G1500-T24	Support channel for 18 in. (457 mm) and 24 in. (610 mm) wide trench	2.00	0.90
G1500-T36	Support channel for 30 in. (762 mm) and 36 in. (915 mm) wide trench	2.90	1.30

Tape

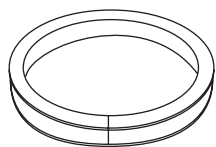
Catalog Number	Description	Weight	
		Lbs.	Kg.
G1414	2 in. (51 mm) Wide for Trench Cover Plate (180 ft./roll) (54864 mm/roll)	1.20	0.50

Metal Grommets



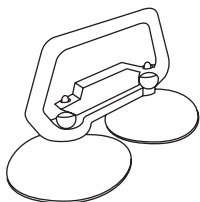
Catalog Number	Description	Weight	
		Lbs.	Kg.
G1492-2.5	2.5 in. (64 mm) Diameter Grommet	0.20	0.10
G1492-3	3 in. (76 mm) Diameter Grommet	0.30	0.10
G1492-4	4 in. (102 mm) Diameter Grommet	0.40	0.20
G1492-36	3 x 6 in. (76 x 152 mm) Diameter Grommet	0.60	0.20

Plastic Grommets



Catalog Number	Description	Weight	
		Lbs.	Kg.
G1472-2.5P	2.5 in. (64 mm) Diameter Grommet	0.03	0.01
G1472-3P	3 in. (76 mm) Diameter Grommet	0.03	0.01
G1472-4P	4 in. (102 mm) Diameter Grommet	0.04	0.02
G1472-36P	3 x 6 in. (76 x 152 mm) Grommet	0.04	0.02
G1472-37P	3 x 7 in. (76 x 178 mm) Grommet	0.05	0.02
RG50	50 ft. (15.24 m) Roll	2.00	0.90

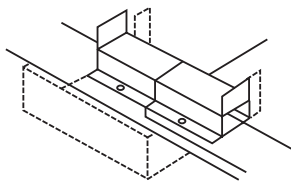
Cover Lifter



Catalog Number	Description	Weight	
		Lbs.	Kg.
G175-S	Cover Lifter (Suction Cup Device)	2.20	1.00

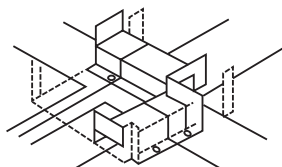
Trench Duct Accessories

Straight Thru Tunnel



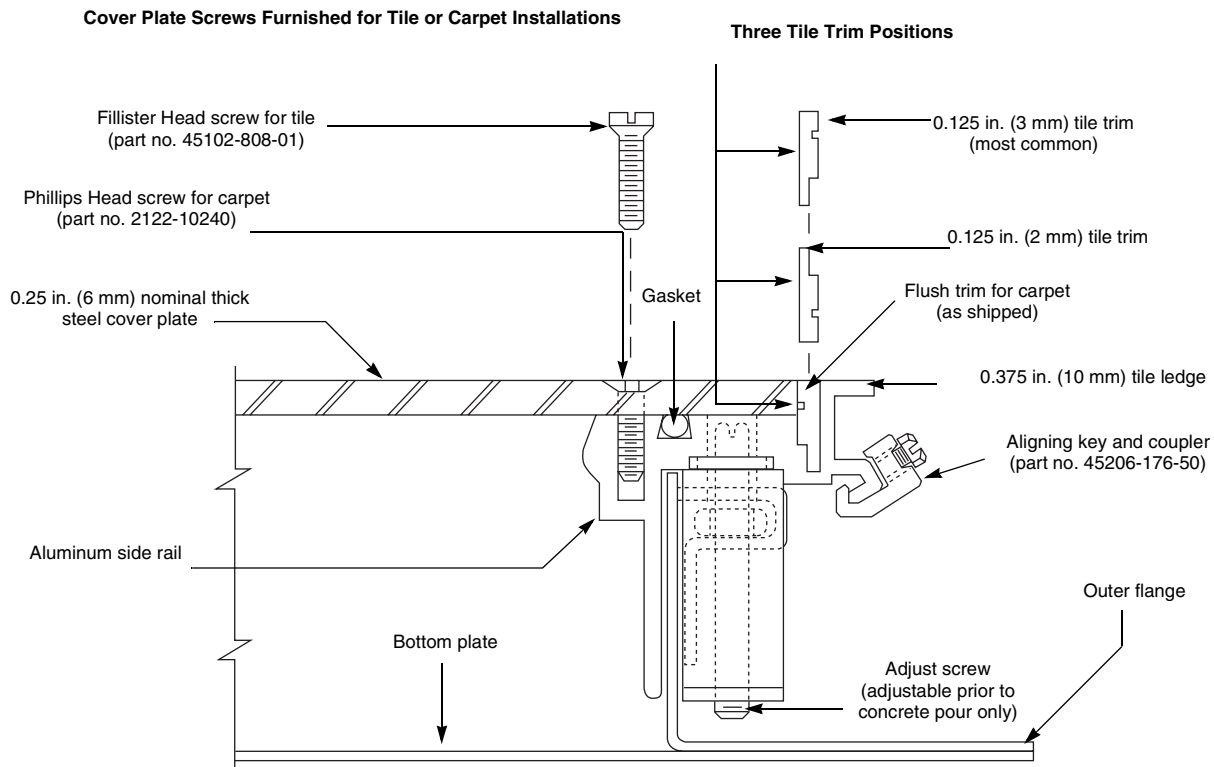
Catalog Number	Description	Weight	
		Lbs.	Kg.
RSV12-2ST	Straight tunnel for 12 x 2.5 in. (305 x 64 mm) floor trench tee or cross	2.90	1.32
RSV18-2ST	Straight tunnel for 18 x 2.5 in. (457 x 64 mm) floor trench tee or cross	3.80	1.73

90° Elbow Tunnel



Catalog Number	Description	Weight	
		Lbs.	Kg.
RSV12-2ET	90° tunnel for 12 x 2.5 in. (305 x 64 mm) floor trench tee or cross	3.20	1.45
RSV18-2ET	90° tunnel for 18 x 2.5 in. (457 x 64 mm) floor trench tee or cross	5.10	2.32

Trench Duct Accessories



Cross Section: Details of Trench Duct Sidrail and Cover

Trench Duct Unassembled RailWay Trench Duct Specifications

UNASSEMBLED RAILWAY TRENCH DUCT SPECIFICATIONS

1. All components of the trench header assembly shall be manufactured in accordance with the standards of Underwriters Laboratories, Inc.
2. Cover plates for trench duct shall be of nominal 0.25 in. (6 mm) thick steel sheet, roller leveled after being sheared to size.
3. The tile trim strip shall be of neutral gray vinyl and be designed so that either a 0.06 in. (2 mm) or 0.12 in. (3 mm) wide trim edge is available.
4. The side rail assemblies shall be furnished in 10 ft. maximum lengths. Height adjustment shall be from:
 - 2.37–3.37 in. (61–86 mm) for a 2.25 in. (64 mm fill)
 - 3–4 in. (76–102 mm) for a 3.25 in. (83 mm) fillAssemblies shall be adjustable prior to the installation of the cover plates. The inside dimension of the trench shall not be more than 1.87 in. (48 mm) less than the cover plate width. Assemblies shall be non-adjustable after the pour to assure rigidity of installation.
5. The side rail assemblies shall utilize a continuous screw slot to receive the cover plates in random position anywhere along the trench duct run.
6. The power compartment (U-trough) shall be 3.25 in. (89 mm) wide. The access hole into the power cell shall be field-drilled. The side partitions of the U-trough shall be adjustable to provide a cover plate support. Installer shall adjust the barriers and weld them into permanent position with a 0.50 in. (13 mm) long weld approximately 2 ft. (610 mm) on center. Extruded plastic sound dampeners shall be provided on the top of the adjustable barriers at approximately 20 in. (508 mm) intervals. Adjustment and welding shall be done prior to placement of the covers to provide support during construction.
7. Any compartment greater than 16 in. (407 mm) wide shall have additional cover plate support.
8. The cover plates shall be a maximum of 2 ft. (610 mm) long, and the abutting ends shall be gasketed. Cover plates shall be held in place by screws. The holes in the cover plate shall accept 0.12 in. (3 mm) high pan-head screws if floor tile is used or flat head screws that shall finish flush with the cover plate if carpet is used. Cover plates shall be shipped separately to the job site.
9. Vertical elbows, where required, shall be an integral part of a cover plate. Tees, horizontal elbows, crosses, offsets, cover plate tape, grommets, end closures, risers and connectors shall be furnished to complete the installation as specified.

Trench Duct Factory Assembled Rail-Way Trench Duct Specifications

FACTORY ASSEMBLED RAIL-WAY TRENCH DUCT SPECIFICATIONS

1. All components of the trench header assembly shall be manufactured in accord with the standards of Underwriters Laboratories, Inc.
2. Cover plates for trench duct shall be of nominal 0.25 in. (6 mm) thick steel sheet, roller leveled after being sheared to size.
3. The tile trim strip shall be of neutral gray vinyl and be designed so that either a 0.06 in. (2 mm) or 0.12 in. (3 mm) wide trim edge is available.
4. Trench duct assemblies shall be furnished in 10 ft. maximum lengths. Height adjustment shall be from:
 - 2.37–3.37 in. (61–86 mm) for a 2.50 in. (64 mm) fill
 - 3–4 in. (76–102 mm) for a 3.25 in. (83 mm) fillAssemblies shall be adjustable prior to the installation of the cover plates. The tub portion of the trench shall not be more than 1.87 in. (48 mm) less than the cover plate width. Assemblies shall be non-adjustable after the pour to assure rigidity of installation.
5. The side rail assemblies shall utilize a continuous screw slot to receive the cover plates in random position anywhere along the trench duct run.
6. Provide trench partitions where required to maintain separation of services. The partition shall be adjustable to provide a cover plate support. Installer shall adjust barriers and weld barriers into permanent position with a 0.50 in. (13 mm) long weld approximately 2 ft. (610 mm) on center. Extruded plastic sound dampeners shall be provided on the top of the adjustable barriers at approximately 20 in. (508 mm) intervals. Adjustment and welding shall be done prior to the placement of covers to provide support during construction.
7. Any compartment greater than 16 in. (407 mm) wide shall have additional cover plate support.
8. The cover plates shall be a maximum of 2 ft. (610 mm) long and the abutting ends shall be gasketed. Cover plates shall be held in place by screws. The holes in the cover plate shall accept 0.12 in. (3 mm) high pan-head screws if floor tile is used or flat-head screws that shall finish flush with the cover plate if carpet is used. Cover plates shall be shipped to the job site separately from the trench duct assemblies.
9. Vertical elbows, where required, shall be an integral part of a cover plate. Tees, horizontal elbows, crosses, offsets, cover plate tape, grommets, end enclosures, risers and connectors shall be furnished to complete the installation as specified.

Schneider Electric USA

5735 College Corner Pike
Oxford, OH USA
1-888-Square D
1-888-778-2733
www.us.SquareD.com

5230CT9601R505 © 1997–2005 Schneider Electric All Rights Reserved
Replaces 52309601