



PharmaPro™ Flush-Mount Pharmaceutical Enclosures

A20S



Application

Stainless steel flush-mount Type 4X enclosures are ideal for wall-mounting in pharmaceutical manufacturing environments where dust, bacteria, and other undesirable materials might accumulate.

Features

- Specifically designed for pharmaceutical industry—flush mounting and flat surfaces eliminate areas where contaminants can accumulate
- Low RA value of PharmaPro™ Finish minimizes surface crevices, allowing for a thorough wipe-down
- Enclosure does not protrude into the manufacturing area
- Patent-pending mounting system

Construction

- Enclosure body manufactured from 14 gauge Type 304 stainless steel
- Mounting flange manufactured from 10 gauge Type 316 stainless steel
- Screw cover and hinged door manufactured from 12 gauge Type 316 stainless steel
- Seams continuously welded and ground smooth
- Type 316L stainless steel lift-off hinges used with hinged door
- Type 316L stainless steel slotted oval head fasteners used with screw cover
- Stainless steel quarter-turn latches used with hinged door
- FDA-approved gasket
- Grounding stud on body, bonding provision on cover or door

Finish

PharmaPro Finish applied to cover, door, and mounting flange

Industry Standards

UL 508A, 508, File No. E61997: Type 4, 4X, 12, 13
cUL C22.2 No. 94, File No. E61997: Type 4, 4X, 12, 13
NEMA/EEMAC Type 4, 4X, 12, 13
IEC 60529, IP66

Accessories

Corrosion Inhibitors
Panels (see table)

Modification Services Program

You can customize this product to your unique requirements by specifying from these options:

- Holes and cutouts in body, doors, subpanels
- Tapped holes in subpanels
- Standard accessories

For details, see Modification Services at hoffmanonline.com. To order, contact your local Hoffman sales representative.

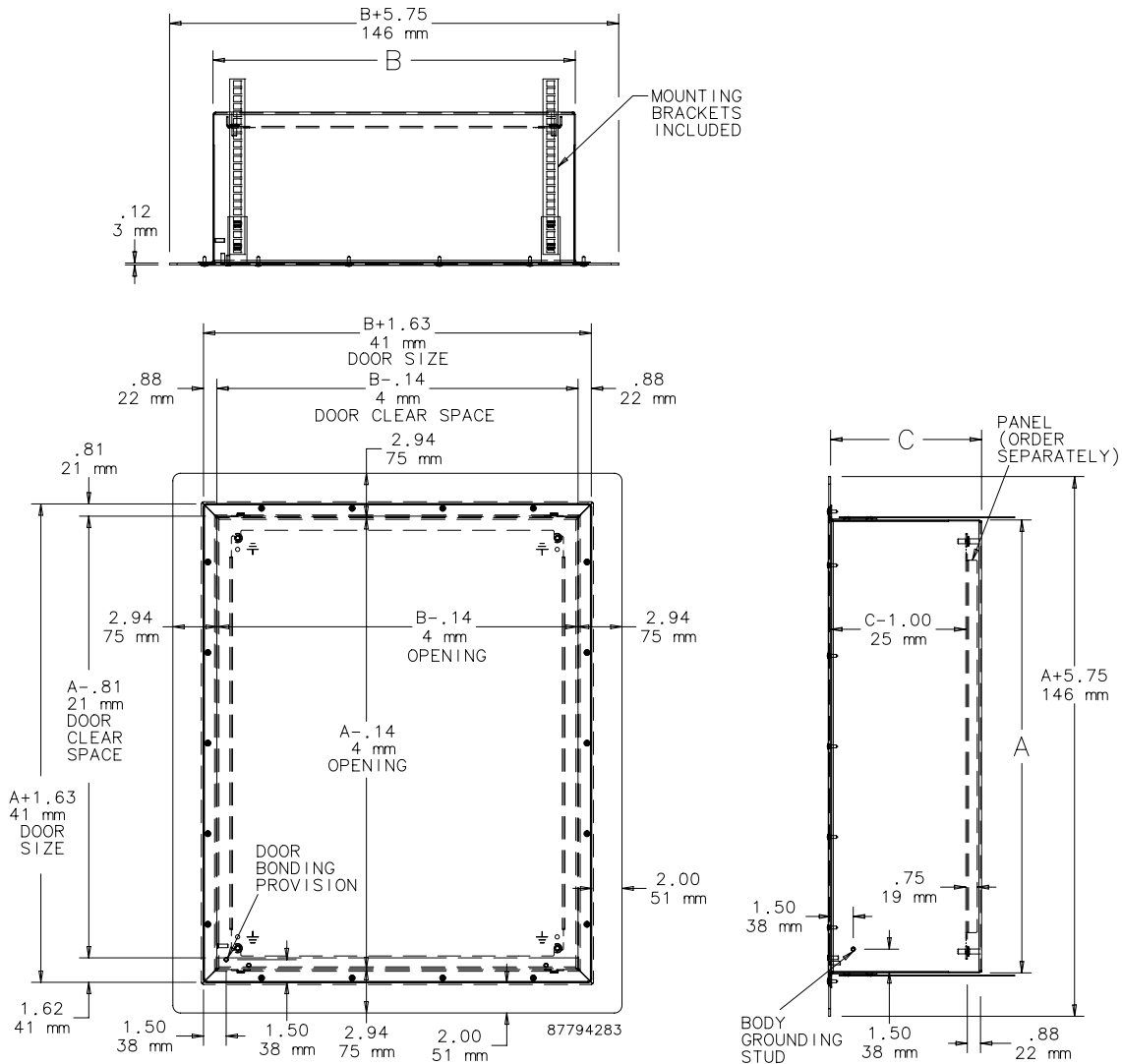
NOTE: For information about modifications outside the scope of the Modification Services program, contact your Hoffman sales representative.



PharmaPro™ Flush-Mount Pharmaceutical Enclosures

A20S

Screw-Cover Enclosures



Standard Sizes Screw-Cover PharmaPro Flush-Mount Pharmaceutical Enclosures

Catalog Number	Door Gauge	Body Gauge	Enclosure Size A x B x C		Panel Catalog Number	Mounting (Required Hole Size) G x H		Latches Qty.
			in.	mm		in.	mm	
AFMSC20124SS	12	14	20.00 x 12.00 x 4.00	508 x 305 x 102	CP2012	22.25 x 14.25	565 x 362	NA
AFMSC20204SS	12	14	20.00 x 20.00 x 4.00	508 x 508 x 102	CP2020	22.25 x 22.25	565 x 565	NA
AFMSC12126SS	12	14	12.00 x 12.00 x 6.00	305 x 305 x 152	CP1212	14.25 x 14.25	362 x 362	NA
AFMSC16126SS	12	14	16.00 x 12.00 x 6.00	406 x 305 x 152	CP1612	18.25 x 14.25	464 x 362	NA
AFMSC20166SS	12	14	20.00 x 16.00 x 6.00	508 x 406 x 152	CP2016	22.25 x 18.25	565 x 464	NA
AFMSC20206SS	12	14	20.00 x 20.00 x 6.00	508 x 508 x 152	CP2020	22.25 x 22.25	565 x 565	NA
AFMSC24206SS	12	14	24.00 x 20.00 x 6.00	610 x 508 x 152	CP2420	26.25 x 22.25	667 x 565	NA
AFMSC24248SS	12	14	24.00 x 24.00 x 8.00	610 x 610 x 203	CP2424	26.25 x 26.25	667 x 667	NA
AFMSC30248SS	12	14	30.00 x 24.00 x 8.00	762 x 610 x 203	CP3024	32.25 x 26.25	819 x 667	NA
AFMSC242010SS	12	14	24.00 x 20.00 x 10.00	610 x 508 x 254	CP2420	26.25 x 22.25	667 x 565	NA
AFMSC302410SS	12	14	30.00 x 24.00 x 10.00	762 x 610 x 254	CP3024	32.25 x 26.25	819 x 667	NA



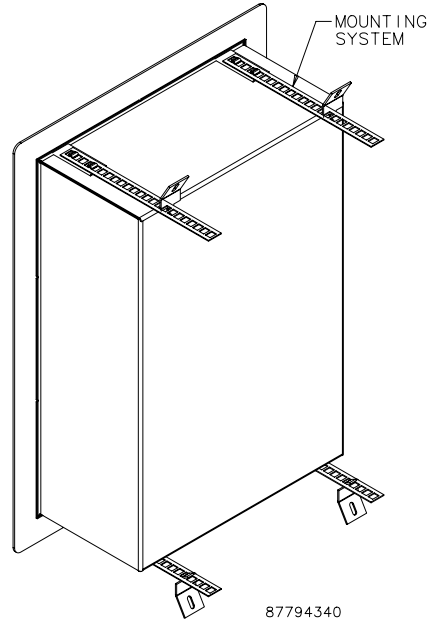
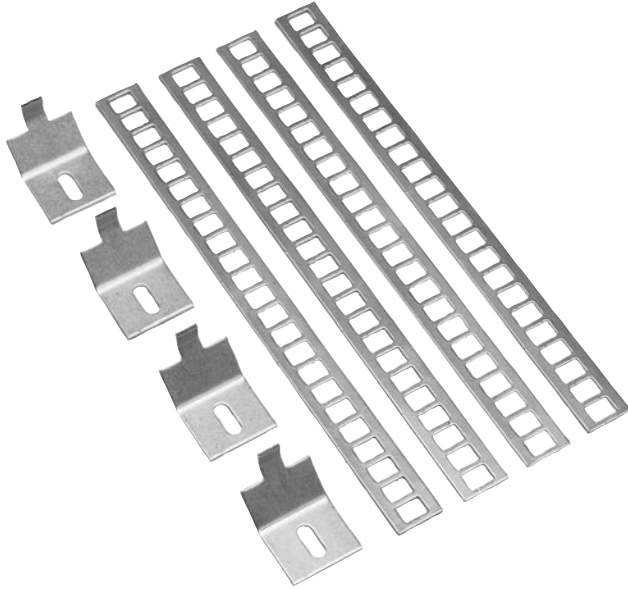
A Pentair Company

PharmaPro™ Flush-Mount Pharmaceutical Enclosures

A20S

Mounting System

Patent-pending adjustable-depth mounting system is included with each enclosure. Mounting system can be used on either block or stud walls.



87794340



A Pentair Company

HOFFMAN
2100 Hoffman Way, Anoka, MN 55303-1745 USA
(763) 421-2240 • Fax (763) 422-2600 • www.hoffmanonline.com
Customer Service (763) 422-2211