



A Pentair Company

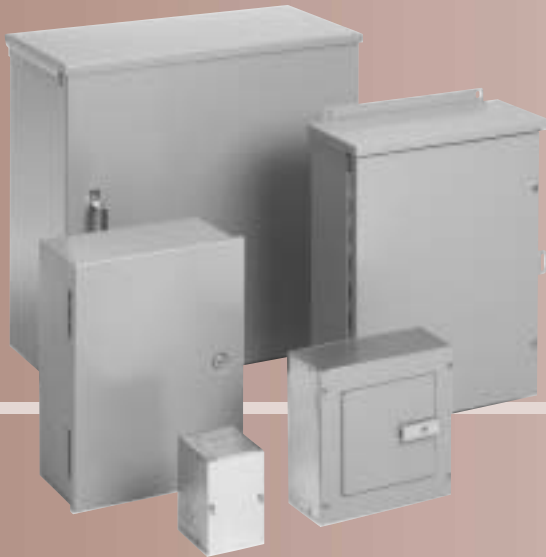
*"The materials I use on the job reflect the quality of my work. I won't use anything but Hoffman."*



# Commercial Boxes & Enclosures

## The commercial standard to which all others aspire.

Hoffman boxes and enclosures have been a part of the commercial electrical landscape for over 50 years for three good reasons—quality, availability, and ease of installation. With innovative new features such as our perforated panels that provide fast, easy component mounting to an integral wood panel for easier reconfiguration of communications hardware, Hoffman makes it easy. Immediate local availability and service make it fast. And from a simple junction box to a large integrated telecommunications cabinet, every enclosure features legendary Hoffman quality, which shows that you use only the best.



### Specialty and general purpose enclosures

Available in a wider range of sizes and styles, specialty and general purpose enclosures are used in applications such as telephone cabinets, current transformer cabinets, and in applications requiring gasketed boxes to resist dust and moisture infiltration. Small, medium, and large general purpose boxes are available for Type 1 and Type 3R applications.

### Screw Cover Pull Boxes

Hoffman's large selection of Screw Cover Pull Box sizes just got larger. These boxes are now available up to 48" x 48" x 16". Screw cover Type 3R enclosures are now available with and without knockouts in most sizes, and perforated panels simplify mounting components—eliminating the need to drill mounting holes. New options available for flush-mounted door frame and telephone cabinet models include a latch with the security of a tumbler lock.

See page 7.02

## ▶ Index

Accessories, Screw Cover Pull Boxes	7.05
Covers, Flush, Screw Cover Pull Boxes	7.05
Current Transformer Enclosures, Hinged Cover	7.16
Current Transformer Enclosures, Screw Cover	7.14
Door Frame, Flush-Mounted, Screw Cover Pull Boxes	7.05
Gasketed Boxes, Screw Cover	7.10
Latch, Slotted Flush	7.25, 7.27, 7.29
Latch, T Handle	7.25, 7.27, 7.29
Lock, Cylinder	7.25, 7.27, 7.29
Metering Cabinets	7.35
Panels, Perforated	7.30
Pull Boxes, Hinged Cover	7.06
Pull Boxes, Screw Cover	7.02
Splitter Block Assemblies	7.34
Splitter Boxes, Type 1	7.32
Splitter Trough, Type 1	7.33
Telephone Cabinets	7.08
Type 1 Enclosure Latches	7.25, 7.27, 7.29
Type 1 Large Enclosures	7.28
Type 1 Medium Enclosures	7.26
Type 1 Small Enclosures	7.24
Type 3R Enclosures, Hinged Cover Lift-Off	7.22
Type 3R Enclosures, Screw Cover	7.12
Type 3R Medium Enclosures, Hinged Cover	7.20
Type 3R Small Enclosures, Hinged Cover	7.18

See also Chapter 8, Wireway and Trough



A Pentair Company

# Screw Cover Pull Boxes



## Application

Designed for use as a junction box and pull box in commercial and general industrial applications. Flush covers and door frames must be ordered separately for flush installations.

## Construction

- 16 gauge, 14 gauge, or 12 gauge steel or galvanized steel
- Flat, removable covers fastened with plated steel screws
- Unique keyhole screw slots in the cover permit removal of the cover without extracting the screws
- Available with or without knockouts. Various sizes of easily removable concentric knockouts on all four sides of standard boxes with knockouts.
- Provision for grounding
- Mounting holes on back of box

- Optional flush-mounted door frame available
- Optional flush covers are designed to mount on enclosures for flush installations

## Finish

ANSI 61 gray polyester powder paint finish inside and out over phosphatized surfaces or galvanized steel. Unless otherwise specified, all custom pull boxes are finished with ANSI 61 gray polyester powder paint.

## Industry Standards

UL 50, File No. E27525, Type I  
 NEMA/EEMAC Type I  
 cUL CSA C22.2 No. 94, File No. E27525, Type I  
 IEC 60529, IP30

## Accessories

Flush Covers  
 Flush-Mounted Door Frame  
 Grounding Device  
 Touch-Up Paint (ATPPY61)

## Standard Sizes Screw Cover Pull Boxes

Catalog Number with Knockouts Painted		Catalog Number without Knockouts Galvanized		Box Size A x B x C	Number of Cover Screws	Knockout Pattern along "A" Sides	Knockout Pattern along "B" Sides
ASE4X4X3	ASG4X4X3	ASE4X4X3NK	ASG4X4X3NK	4.00 x 4.00 x 3.00 (102 x 102 x 76)	2	BC	BC
ASE6X6X3	ASG6X6X3	ASE6X6X3NK	ASG6X6X3NK	6.00 x 6.00 x 3.00 (152 x 152 x 76)	2	BCD	BCD
ASE8X6X3	ASG8X6X3	ASE8X6X3NK	ASG8X6X3NK	8.00 x 6.00 x 3.00 (203 x 152 x 76)	2	FGHI	BCD
ASE16X14X3	ASG16X14X3	ASE16X14X3NK	ASG16X14X3NK	16.00 x 14.00 x 3.00 (406 x 356 x 76)	4	BCDEFGH	BCDEFGH
ASE18X14X3	ASG18X14X3	ASE18X14X3NK	ASG18X14X3NK	18.00 x 14.00 x 3.00 (457 x 356 x 76)	4	ABCDEFGH	BCDEFGH
ASE20X14X3	ASG20X14X3	ASE20X14X3NK	ASG20X14X3NK	20.00 x 14.00 x 3.00 (508 x 356 x 76)	4	ABCDEFGH	BCDEFGH
ASE4X4X4	ASG4X4X4	ASE4X4X4NK	ASG4X4X4NK	4.00 x 4.00 x 4.00 (102 x 102 x 102)	2	BC	BC
ASE6X4X4	ASG6X4X4	ASE6X4X4NK	ASG6X4X4NK	6.00 x 4.00 x 4.00 (152 x 102 x 102)	2	BCD	BC
ASE6X6X4	ASG6X6X4	ASE6X6X4NK	ASG6X6X4NK	6.00 x 6.00 x 4.00 (152 x 152 x 102)	2	BCD	BCD
ASE8X6X4	ASG8X6X4	ASE8X6X4NK	ASG8X6X4NK	8.00 x 6.00 x 4.00 (203 x 152 x 102)	2	FGHI	BCD
ASE8X8X4	ASG8X8X4	ASE8X8X4NK	ASG8X8X4NK	8.00 x 8.00 x 4.00 (203 x 203 x 102)	4	FGHI	FGHI
—	—	ASE10X6X4NK	ASG10X6X4NK	10.00 x 6.00 x 4.00 (254 x 152 x 102)	4	—	—
ASE10X8X4	ASG10X8X4	ASE10X8X4NK	ASG10X8X4NK	10.00 x 8.00 x 4.00 (254 x 203 x 102)	4	FGHI	FGHI
ASE10X10X4	ASG10X10X4	ASE10X10X4NK	ASG10X10X4NK	10.00 x 10.00 x 4.00 (254 x 254 x 102)	4	FGHI	CDEFG
—	—	ASE12X6X4NK	ASG12X6X4NK	12.00 x 6.00 x 4.00 (305 x 152 x 102)	4	—	—
ASE12X8X4	ASG12X8X4	ASE12X8X4NK	ASG12X8X4NK	12.00 x 8.00 x 4.00 (305 x 203 x 102)	4	CDEFG	FGHI
ASE12X10X4	ASG12X10X4	ASE12X10X4NK	ASG12X10X4NK	12.00 x 10.00 x 4.00 (305 x 254 x 102)	4	CDEFG	CDEFG
ASE12X12X4	ASG12X12X4	ASE12X12X4NK	ASG12X12X4NK	12.00 x 12.00 x 4.00 (305 x 305 x 102)	4	CDEFG	CDEFG
—	—	ASE15X15X4NK	ASG15X15X4NK	15.00 x 15.00 x 4.00 (381 x 381 x 102)	4	—	—
ASE16X12X4	ASG16X12X4	ASE16X12X4NK	ASG16X12X4NK	16.00 x 12.00 x 4.00 (406 x 305 x 102)	4	BCDEFGH	CDEFG
ASE18X12X4	ASG18X12X4	ASE18X12X4NK	ASG18X12X4NK	18.00 x 12.00 x 4.00 (457 x 305 x 102)	4	ABCDEFGH	CDEFG
—	—	ASE18X15X4NK	ASG18X15X4NK	18.00 x 15.00 x 4.00 (457 x 381 x 102)	4	—	—
ASE18X18X4	ASG18X18X4	ASE18X18X4NK	ASG18X18X4NK	18.00 x 18.00 x 4.00 (457 x 457 x 102)	4	ABCDEFGH	ABCDEFGH

Continued on next page



**Standard Sizes Screw Cover Pull Boxes (Cont.)**

Catalog Number with Knockouts Painted	Catalog Number with Knockouts Galvanized	Catalog Number without Knockouts Painted	Catalog Number without Knockouts Galvanized	Box Size A x B x C	Number of Cover Screws	Knockout Pattern along "A" Sides	Knockout Pattern along "B" Sides
ASE24X12X4	—	ASE24X12X4NK	—	24.00 x 12.00 x 4.00 (610 x 457 x 102)	4	ABCDEFGH	CDEFG
—	—	ASE24X18X4NK	ASG24X18X4NK	24.00 x 18.00 x 4.00 (610 x 457 x 102)	4	—	—
ASE24X24X4	ASG24X24X4	ASE24X24X4NK	ASG24X24X4NK	24.00 x 24.00 x 4.00 (610 x 610 x 102)	4	ABCDEFGH	ABCDEFGH
ASE30X24X4	—	ASE30X24X4NK	ASG30X24X4NK	30.00 x 24.00 x 4.00 (762 x 610 x 102)	6	ABCDEFGH	ABCDEFGH
—	—	ASE30X30X4NK	ASG30X30X4NK	30.00 x 30.00 x 4.00 (762 x 762 x 102)	8	—	—
—	—	ASE36X24X4NK	—	36.00 x 24.00 x 4.00 (1097 x 610 x 102)	6	—	—
ASE6X6X6	ASG6X6X6	ASE6X6X6NK	ASG6X6X6NK	6.00 x 6.00 x 6.00 (152 x 152 x 152)	2	BCD	BCD
ASE8X6X6	—	ASE8X6X6NK	ASG8X6X6NK	8.00 x 6.00 x 6.00 (203 x 152 x 152)	2	FGHI	BCD
ASE8X8X6	ASG8X8X6	ASE8X8X6NK	ASG8X8X6NK	8.00 x 8.00 x 6.00 (203 x 203 x 152)	4	FGHI	FGHI
ASE10X8X6	ASG10X8X6	ASE10X8X6NK	ASG10X8X6NK	10.00 x 8.00 x 6.00 (254 x 203 x 152)	4	FGHI	FGHI
ASE10X10X6	ASG10X10X6	ASE10X10X6NK	ASG10X10X6NK	10.00 x 10.00 x 6.00 (254 x 254 x 152)	4	FGHI	CDEFG
—	—	ASE12X6X6NK	—	12.00 x 6.00 x 6.00 (305 x 152 x 152)	4	—	—
—	—	ASE12X8X6NK	ASG12X8X6NK	12.00 x 8.00 x 6.00 (305 x 203 x 152)	4	—	—
ASE12X10X6	ASG12X10X6	ASE12X10X6NK	ASG12X10X6NK	12.00 x 10.00 x 6.00 (305 x 254 x 152)	4	CDEFG	CDEFG
ASE12X12X6	ASG12X12X6	ASE12X12X6NK	ASG12X12X6NK	12.00 x 12.00 x 6.00 (305 x 305 x 152)	4	CDEFG	CDEFG
ASE16X12X6	ASG16X12X6	ASE16X12X6NK	ASG16X12X6NK	16.00 x 12.00 x 6.00 (406 x 305 x 152)	4	BCDEFGH	CDEFG
ASE16X16X6	ASG16X16X6	ASE16X16X6NK	ASG16X16X6NK	16.00 x 16.00 x 6.00 (406 x 406 x 152)	4	BCDEFGH	BCDEFGH
ASE18X12X6	ASG18X12X6	ASE18X12X6NK	ASG18X12X6NK	18.00 x 12.00 x 6.00 (457 x 305 x 152)	4	ABCDEFGH	CDEFG
ASE18X18X6	ASG18X18X6	ASE18X18X6NK	ASG18X18X6NK	18.00 x 18.00 x 6.00 (457 x 457 x 152)	4	ABCDEFGH	ABCDEFGH
—	—	ASE24X12X6NK	ASG24X12X6NK	24.00 x 12.00 x 6.00 (610 x 305 x 152)	4	—	—
ASE24X18X6	ASG24X18X6	ASE24X18X6NK	ASG24X18X6NK	24.00 x 18.00 x 6.00 (610 x 457 x 152)	4	ABCDEFGH	ABCDEFGH
—	—	ASE24X20X6NK	ASG24X20X6NK	24.00 x 20.00 x 6.00 (610 x 508 x 152)	4	—	—
ASE24X24X6	ASG24X24X6	ASE24X24X6NK	ASG24X24X6NK	24.00 x 24.00 x 6.00 (610 x 610 x 152)	4	ABCDEFGH	ABCDEFGH
ASE30X24X6	ASG30X24X6	ASE30X24X6NK	ASG30X24X6NK	30.00 x 24.00 x 6.00 (762 x 610 x 152)	6	ABCDEFGH	ABCDEFGH
—	—	ASE30X30X6NK	ASG30X30X6NK	30.00 x 30.00 x 6.00 (762 x 762 x 152)	8	—	—
ASE36X24X6	ASG36X24X6	ASE36X24X6NK	ASG36X24X6NK	36.00 x 24.00 x 6.00 (914 x 610 x 152)	6	ABCDEFGH	ABCDEFGH
—	—	ASE36X30X6NK	ASG36X30X6NK	36.00 x 30.00 x 6.00 (914 x 762 x 152)	8	—	—
—	—	ASE36X36X6NK	ASG36X36X6NK	36.00 x 36.00 x 6.00 (914 x 914 x 152)	8	—	—
ASE8X8X8	—	ASE8X8X8NK	ASG8X8X8NK	8.00 x 8.00 x 8.00 (203 x 203 x 203)	4	FGHI	FGHI
—	—	ASE10X10X8NK	ASG10X10X8NK	10.00 x 10.00 x 8.00 (254 x 254 x 203)	4	—	—
—	—	ASE12X10X8NK	ASG12X10X8NK	12.00 x 10.00 x 8.00 (305 x 254 x 203)	4	—	—
ASE12X12X8	ASG12X12X8	ASE12X12X8NK	ASG12X12X8NK	12.00 x 12.00 x 8.00 (305 x 305 x 203)	4	CDEFG	CDEFG
ASE16X12X8	—	ASE16X12X8NK	ASG16X12X8NK	16.00 x 12.00 x 8.00 (406 x 305 x 203)	4	BCDEFGH	CDEFG
ASE18X12X8	—	ASE18X12X8NK	ASG18X12X8NK	18.00 x 12.00 x 8.00 (457 x 305 x 203)	4	ABCDEFGH	CDEFG
—	—	ASE18X18X8NK	ASG18X18X8NK	18.00 x 18.00 x 8.00 (457 x 457 x 203)	4	—	—
ASE24X12X8	—	ASE24X12X8NK	ASG24X12X8NK	24.00 x 12.00 x 8.00 (610 x 305 x 203)	4	ABCDEFGH	CDEFG
ASE24X18X8	—	ASE24X18X8NK	ASG24X18X8NK	24.00 x 18.00 x 8.00 (610 x 457 x 203)	4	ABCDEFGH	ABCDEFGH
—	—	ASE24X20X8NK	ASG24X20X8NK	24.00 x 20.00 x 8.00 (610 x 508 x 203)	4	—	—
ASE24X24X8	—	ASE24X24X8NK	ASG24X24X8NK	24.00 x 24.00 x 8.00 (610 x 610 x 203)	4	ABCDEFGH	ABCDEFGH

Continued on next page

Data subject to change without notice

☎ 763 422 2211

FAX 763 422 2600

©2003 Hoffman Enclosures Inc.

**7.03**



A Pentair Company

# Screw Cover Pull Boxes

## Standard Sizes Screw Cover Pull Boxes (Cont.)

Catalog Number with Knockouts Painted		Catalog Number without Knockouts Painted		Box Size A x B x C	Number of Cover Screws	Knockout Pattern along "A" Sides	Knockout Pattern along "B" Sides
ASE30X24X8	—	ASE30X24X8NK	ASG30X24X8NK	30.00 x 24.00 x 8.00 (762 x 610 x 203)	6	ABCDEFGHI	ABCDEFGHI
—	—	ASE30X30X8NK	ASG30X30X8NK	30.00 x 30.00 x 8.00 (762 x 762 x 203)	8	—	—
ASE36X24X8	—	ASE36X24X8NK	ASG36X24X8NK	36.00 x 24.00 x 8.00 (914 x 610 x 203)	6	ABCDEFGHI	ABCDEFGHI
—	—	ASE36X36X8NK	ASG36X36X8NK	36.00 x 36.00 x 8.00 (914 x 914 x 203)	8	—	—
—	—	ASE12X12X10NK	ASG12X12X10NK	12.00 x 12.00 x 10.00 (305 x 305 x 203)	4	—	—
ASE18X12X10	—	ASE18X12X10NK	ASG18X12X10NK	18.00 x 12.00 x 10.00 (457 x 305 x 203)	4	ABCDEFGHI	CDEFG
ASE18X18X10	—	ASE18X18X10NK	ASG18X18X10NK	18.00 x 18.00 x 10.00 (457 x 457 x 203)	4	ABCDEFGHI	ABCDEFGHI
ASE24X12X10	—	ASE24X12X10NK	—	24.00 x 12.00 x 10.00 (610 x 305 x 203)	4	ABCDEFGHI	CDEFG
ASE24X18X10	—	ASE24X18X10NK	ASG24X18X10NK	24.00 x 18.00 x 10.00 (610 x 457 x 203)	4	ABCDEFGHI	ABCDEFGHI
ASE24X24X10	—	ASE24X24X10NK	ASG24X24X10NK	24.00 x 24.00 x 10.00 (610 x 610 x 203)	4	ABCDEFGHI	ABCDEFGHI
ASE30X24X10	—	ASE30X24X10NK	—	30.00 x 24.00 x 10.00 (762 x 610 x 203)	6	ABCDEFGHI	ABCDEFGHI
—	—	ASE30X30X10NK	ASG30X30X10NK	30.00 x 30.00 x 10.00 (762 x 762 x 203)	8	—	—
ASE36X24X10	—	ASE36X24X10NK	ASG36X24X10NK	36.00 x 24.00 x 10.00 (914 x 610 x 203)	6	ABCDEFGHI	ABCDEFGHI
—	—	ASE36X36X10NK	ASG36X36X10NK	36.00 x 36.00 x 10.00 (914 x 914 x 203)	8	—	—
—	—	ASE12X12X12NK	ASG12X12X12NK	12.00 x 12.00 x 12.00 (305 x 305 x 305)	4	—	—
ASE24X12X12	—	ASE24X12X12NK	ASG24X12X12NK	24.00 x 12.00 x 12.00 (610 x 305 x 305)	4	ABCDEFGHI	CDEFG
ASE18X18X12	—	ASE18X18X12NK	ASG18X18X12NK	18.00 x 18.00 x 12.00 (457 x 457 x 305)	4	ABCDEFGHI	ABCDEFGHI
ASE24X18X12	—	ASE24X18X12NK	ASG24X18X12NK	24.00 x 18.00 x 12.00 (610 x 457 x 305)	4	ABCDEFGHI	ABCDEFGHI
ASE24X24X12	—	ASE24X24X12NK	ASG24X24X12NK	24.00 x 24.00 x 12.00 (610 x 610 x 305)	4	ABCDEFGHI	ABCDEFGHI
ASE30X24X12	—	ASE30X24X12NK	—	30.00 x 24.00 x 12.00 (762 x 610 x 305)	6	ABCDEFGHI	ABCDEFGHI
—	—	ASE30X30X12NK	ASG30X30X12NK	30.00 x 30.00 x 12.00 (762 x 762 x 305)	8	—	—
ASE36X24X12	—	ASE36X24X12NK	ASG36X24X12NK	36.00 x 24.00 x 12.00 (914 x 610 x 305)	6	ABCDEFGHI	ABCDEFGHI
—	—	ASE36X36X12NK	ASG36X36X12NK	36.00 x 36.00 x 12.00 (914 x 914 x 305)	8	—	—
—	—	ASE48X48X12NK	ASG48X48X12NK	48.00 x 48.00 x 12.00 (1219 x 1219 x 305)	12	—	—
—	—	ASE30X30X16NK	ASG30X30X16NK	30.00 x 30.00 x 16.00 (762 x 762 x 406)	8	—	—
—	—	ASE36X36X16NK	ASG36X36X16NK	36.00 x 36.00 x 16.00 (914 x 914 x 406)	8	—	—
—	—	ASE48X48X16NK	ASG48X48X16NK	48.00 x 48.00 x 16.00 (1219 x 1219 x 406)	12	—	—

Millimeter dimensions ( ) are for reference only; do not convert metric dimensions to inch.

NOTE: Refer to Table on previous two pages for applicable knockout pattern.

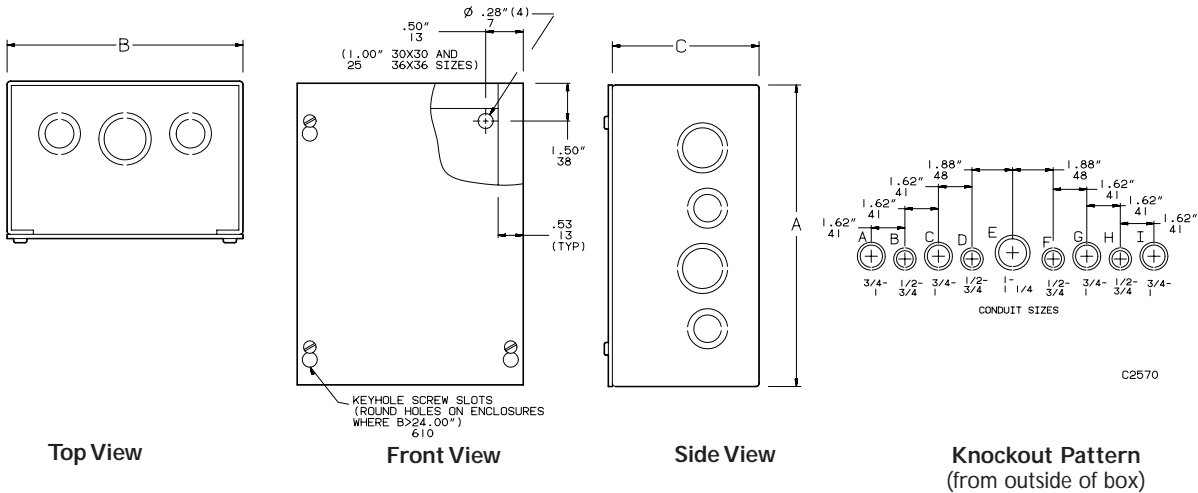


# Screw Cover Pull Boxes and Accessories

Bulletin  
**A90**

Rev. B September 2003

## Screw Cover Pull Box Dimension Drawing



## Flush Covers



Designed to mount on enclosure for flush installations. Cover is 16 or 14 gauge steel finished with ANSI 61 gray polyester powder paint.

### Standard Sizes Flush Covers

Catalog Number	Cover Size	Fits Box Size A x B	Cover Gauge
AFE6X6	7.50 x 7.50 (191 x 191)	6.00 x 6.00 (152 x 152)	16
AFE8X6	9.50 x 7.50 (241 x 191)	8.00 x 6.00 (203 x 152)	16
AFE8X8	9.50 x 9.50 (241 x 241)	8.00 x 8.00 (203 x 203)	16
AFE10X8	11.50 x 9.50 (292 x 241)	10.00 x 8.00 (254 x 203)	16
AFE10X10	11.50 x 11.50 (292 x 292)	10.00 x 10.00 (254 x 254)	16
AFE12X8	13.50 x 9.50 (343 x 241)	12.00 x 8.00 (305 x 203)	16
AFE12X12	13.50 x 13.50 (343 x 343)	12.00 x 12.00 (305 x 305)	16
AFE18X12	19.50 x 13.50 (495 x 343)	18.00 x 12.00 (457 x 305)	16
AFE18X18	19.50 x 19.50 (495 x 495)	18.00 x 18.00 (457 x 457)	16
AFE24X18	25.50 x 19.50 (648 x 495)	24.00 x 18.00 (610 x 457)	14
AFE24X24	25.50 x 25.50 (648 x 648)	24.00 x 24.00 (610 x 610)	14

## Flush-Mounted Door Frame

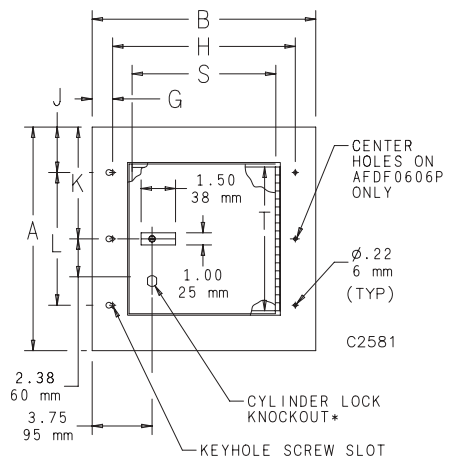


For use in Screw Cover Pull Box telephone cabinet installations, or in communication wiring and signal systems. Also as a junction or pull box and switch enclosure.

### Features

- Continuous hinge
- 14 gauge steel door frame with ANSI 61 gray polyester powder paint finish
- Rugged black composite slide latch

- Optional tamper-resistant lock kit includes cylinder lock, tamper-resistant screws, and special driver bit



\* Not available on AFDF0606P

### Standard Sizes Flush-Mounted Door Frames

Catalog Number	Frame Size A x B	Door Size T S	Fits Box Size A x B	G	H	J	K	L
AFDF0606P	8.00 x 8.00 (203 x 203)	3.00 (76) 3.00 (76)	6.00 x 6.00 (152 x 152)	1.28 (32)	5.44 (138)	—	4.00 (102)	—
AFDF1212P	14.00 x 14.00 (356 x 356)	9.00 (229) 9.00 (229)	12.00 x 12.00 (305 x 305)	1.28 (32)	11.44 (291)	2.84 (72)	7.00 (178)	8.31 (211)
AFDF1812P	20.00 x 14.00 (508 x 356)	15.00 (381) 9.00 (229)	18.00 x 12.00 (457 x 305)	1.28 (32)	11.44 (291)	2.84 (72)	10.00 (254)	14.31 (364)
AFDF1818P	20.00 x 20.00 (508 x 508)	15.00 (381) 15.00 (381)	18.00 x 18.00 (457 x 457)	1.28 (32)	17.44 (443)	2.84 (72)	10.00 (254)	14.31 (364)
AFDF2418P	26.00 x 20.00 (660 x 508)	21.00 (533) 15.00 (381)	24.00 x 18.00 (610 x 457)	1.28 (32)	17.44 (443)	2.84 (72)	13.00 (330)	20.31 (516)
AFDF2424P	26.00 x 26.00	21.00 (533) 21.00 (533)	24.00 x 24.00 (610 x 610)	1.30 (33)	23.41 (595)	2.84 (72)	13.00 (330)	20.31 (516)
AFDF3024P	32.00 x 26.00 (813 x 660)	27.00 (686) 21.00 (533)	30.00 x 24.00 (762 x 610)	1.30 (33)	23.41 (595)	2.84 (72)	16.00 (406)	26.31 (668)
ACLFDF	Lock Kit*							

Millimeter dimensions ( ) are for reference only; do not convert metric dimensions to inch.

\* Not available for AFDF0606P.



A Pentair Company

# Hinged Cover Pull Boxes



### Construction

- 16 gauge or 14 gauge steel
- Butt hinges
- Various sizes of easily removable concentric knockouts on all four sides
- Mounting holes on back of box
- Provision for grounding

### Finish

ANSI 61 gray polyester powder paint finish inside and out over phosphatized surfaces.

Unless otherwise specified, all custom cutout boxes are finished with ANSI 61 gray polyester paint.

### Industry Standards

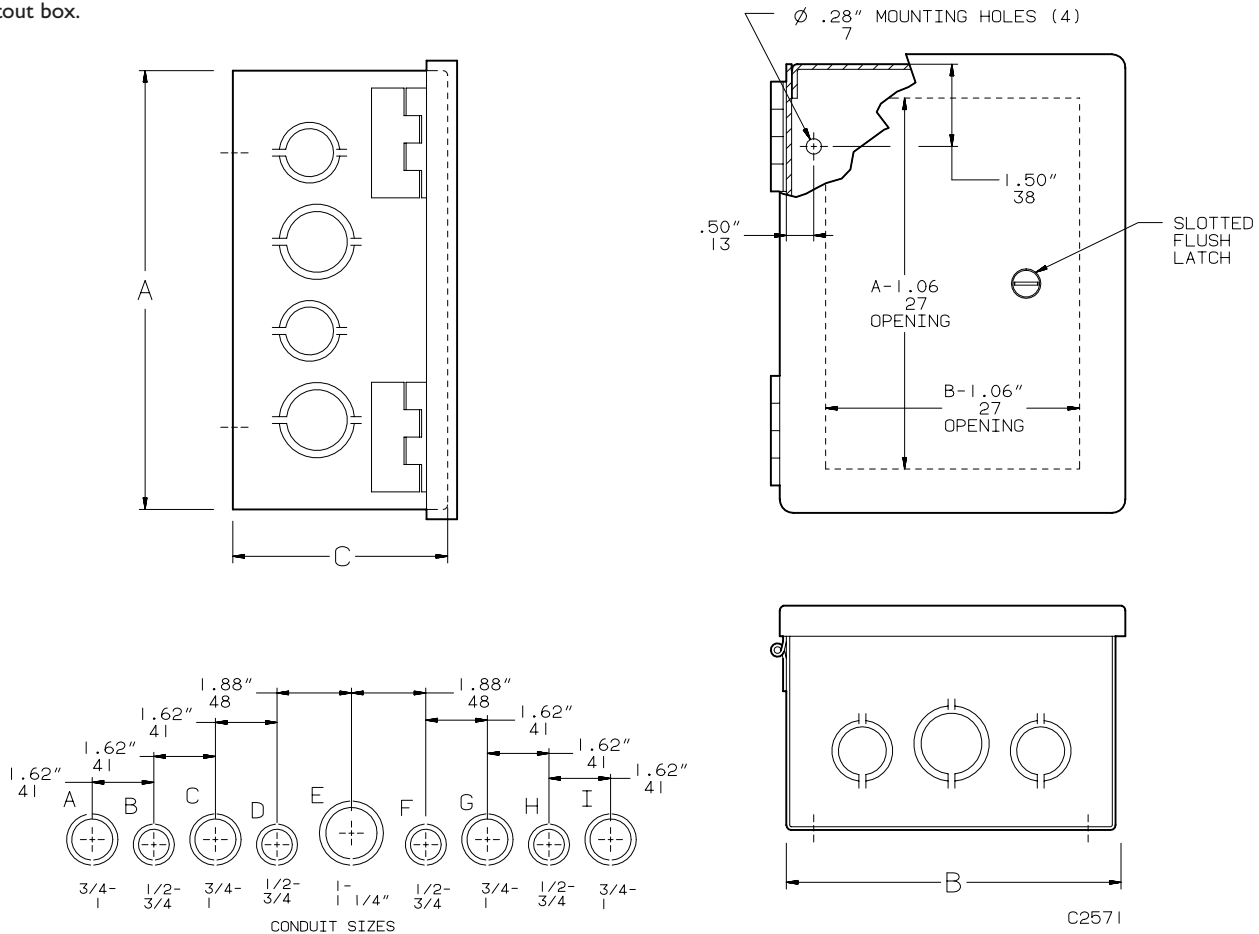
UL 50, File No. E27525 Type I  
 NEMA/EEMAC Type I  
 CSA, File No. LL42184, Type I  
 IEC 60529, IP30

### Accessories

- Cylinder Lock Kit
- Grounding Device
- Padlock Kit
- "T" Handle Latch Kit
- Touch-Up Paint (ATPPY61)

### Application

Designed for use as a surface-mounted junction box, service box, switch box, and cutout box.



**Knockout Pattern**  
(from outside of box)

NOTE: Refer to Table for applicable knockout pattern.



**Standard Sizes Hinged Cover Pull Boxes**

Box Catalog Number	Box Size A x B x C	Knockout Pattern along "A" Sides	Knockout Pattern along "B" Sides
AHE6X4X4	6.00 x 4.00 x 4.00 (152 x 102 x 102)	BCD	BCD
AHE6X6X4	6.00 x 6.00 x 4.00 (152 x 152 x 102)	BCD	BCD
AHE8X6X4	8.00 x 6.00 x 4.00 (203 x 152 x 102)	FGHI	BCD
AHE8X8X4	8.00 x 8.00 x 4.00 (203 x 203 x 102)	FGHI	FGHI
AHE10X8X4	10.00 x 8.00 x 4.00 (254 x 203 x 102)	FGHI	FGHI
AHE10X10X4	10.00 x 10.00 x 4.00 (254 x 254 x 102)	FGHI	CDEFG
AHE12X8X4	12.00 x 8.00 x 4.00 (305 x 203 x 102)	CDEFG	FGHI
AHE12X10X4	12.00 x 10.00 x 4.00 (305 x 254 x 102)	CDEFG	CDEFG
AHE12X12X4	12.00 x 12.00 x 4.00 (305 x 305 x 102)	CDEFG	CDEFG
AHE16X12X4	16.00 x 12.00 x 4.00 (406 x 305 x 102)	BCDEFGH	CDEFG
AHE18X12X4	18.00 x 12.00 x 4.00 (457 x 305 x 102)	ABCDEFGHI	CDEFG
AHE6X6X6	6.00 x 6.00 x 6.00 (152 x 152 x 152)	BCD	BCD
AHE8X8X6	8.00 x 8.00 x 6.00 (203 x 203 x 152)	FGHI	FGHI
AHE10X8X6	10.00 x 8.00 x 6.00 (254 x 203 x 152)	FGHI	FGHI
AHE10X10X6	10.00 x 10.00 x 6.00 (254 x 254 x 152)	FGHI	CDEFG
AHE12X10X6	12.00 x 10.00 x 6.00 (305 x 254 x 152)	CDEFG	CDEFG
AHE12X12X6	12.00 x 12.00 x 6.00 (305 x 305 x 152)	CDEFG	CDEFG
AHE16X12X6	16.00 x 12.00 x 6.00 (406 x 305 x 152)	BCDEFGH	CDEFG
AHE16X16X6	16.00 x 16.00 x 6.00 (406 x 406 x 152)	BCDEFGH	BCDEFGH
AHE18X12X6	18.00 x 12.00 x 6.00 (457 x 305 x 152)	ABCDEFGHI	CDEFG
AHE18X18X6	18.00 x 18.00 x 6.00 (457 x 457 x 152)	ABCDEFGHI	ABCDEFGHI
AHE24X18X6	24.00 x 18.00 x 6.00 (610 x 457 x 152)	ABCDEFGHI	ABCDEFGHI
AHE24X24X6	24.00 x 24.00 x 6.00 (610 x 610 x 152)	ABCDEFGHI	ABCDEFGHI
AHE30X24X6	30.00 x 24.00 x 6.00 (762 x 610 x 152)	ABCDEFGHI	ABCDEFGHI
AHE36X24X6	36.00 x 24.00 x 6.00 (914 x 610 x 152)	ABCDEFGHI	ABCDEFGHI
AHE36X24X8	36.00 x 24.00 x 8.00 (914 x 610 x 203)	ABCDEFGHI	ABCDEFGHI

Millimeter dimensions ( ) are for reference only; do not convert metric dimensions to inch.



A Pentair Company

# Telephone Cabinets



### Application

Designed as a housing for electrical controls and instruments. Additional applications include use as a wiring box, junction box, pull box, or telephone and communication cable termination.

### Construction

- 16 gauge, 14 gauge, or 12 gauge galvanized steel
- Flush or surface mounting
- Continuous hinge
- Wood mounting panel included
- Tumbler lock with key

### Finish

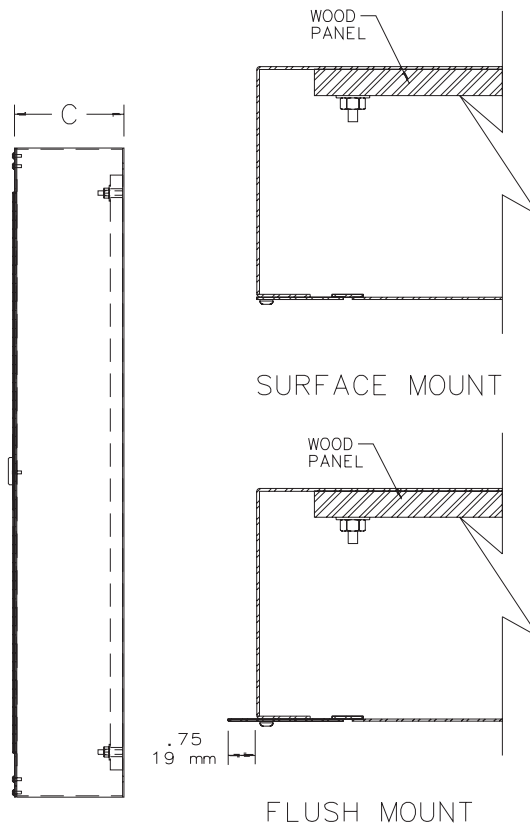
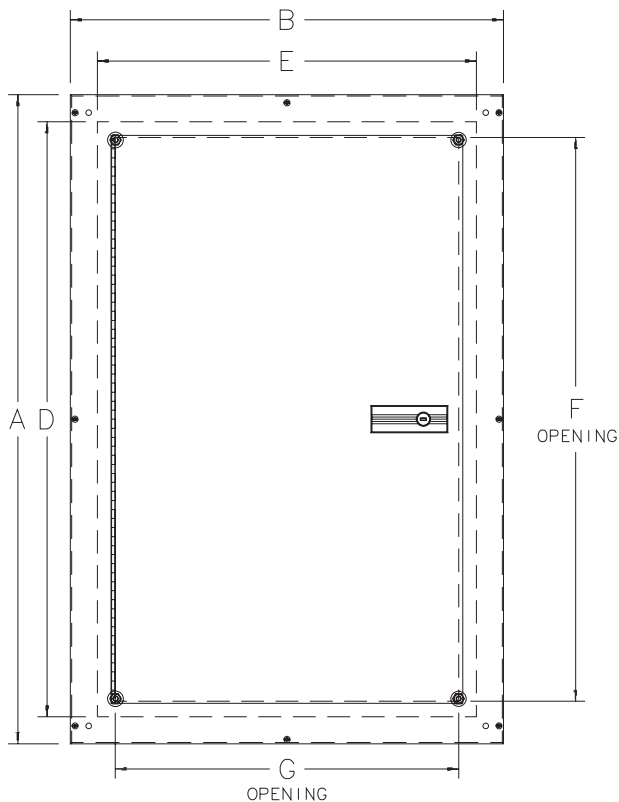
- ANSI 61 gray polyester powder paint on front only

### Industry Standards

UL/CUL 50 File No. E27567, Type I  
 cUL CSA C22.2 No. 94, File No. E27525,  
 Type I  
 NEMA/EEMAC Type I  
 IEC 60529, IP30

### Accessories

Replacement tumbler lock



87745206



**Standard Sizes Telephone Cabinets**

Box Catalog Number Surface Mounted	Flush Mounted	Box Size A x B x C	Panel Size D x E	Nominal Door Size F G	
ATC10104S	ATC10104F	10.00 x 10.00 x 4.00 (254 x 254 x 102)	7.00 x 7.00 (177.80 x 177.80)	6.80 (173)	6.75 (171)
ATC12124S	ATC12124F	12.00 x 12.00 x 4.00 (305 x 305 x 102)	9.00 x 9.00 (228.60 x 228.60)	8.30 (211)	8.25 (210)
ATC18124S	ATC18124F	18.00 x 12.00 x 4.00 (455 x 305 x 102)	15.00 x 9.00 (381.00 x 228.60)	14.30 (363)	8.25 (210)
ATC18184S	ATC18184F	18.00 x 18.00 x 4.00 (455 x 455 x 102)	15.00 x 15.00 (381.00 x 381.00)	14.30 (363)	14.25 (362)
ATC24184S	ATC24184F	24.00 x 18.00 x 4.00 (610 x 455 x 102)	21.00 x 15.00 (533.40 x 381.00)	20.30 (516)	14.25 (362)
ATC24244S	ATC24244F	24.00 x 24.00 x 4.00 (610 x 610 x 102)	21.00 x 21.00 (533.40 x 533.40)	19.30 (490)	19.14 (486)
ATC30244S	ATC30244F	30.00 x 24.00 x 4.00 (762 x 610 x 102)	27.00 x 21.00 (685.80 x 533.40)	25.30 (643)	19.14 (486)
ATC30304S	ATC30304F	30.00 x 30.00 x 4.00 (762 x 762 x 102)	27.00 x 27.00 (685.80 x 685.80)	25.30 (643)	25.14 (639)
ATC36244S	ATC36244F	36.00 x 24.00 x 4.00 (914 x 610 x 102)	33.00 x 21.00 (838.20 x 533.40)	31.30 (795)	19.14 (486)
ATC36304S	ATC36304F	36.00 x 30.00 x 4.00 (914 x 762 x 102)	33.00 x 27.00 (838.20 x 685.80)	31.30 (795)	25.14 (639)
ATC36364S	ATC36364F	36.00 x 36.00 x 4.00 (914 x 914 x 102)	33.00 x 33.00 (838.20 x 838.20)	31.30 (795)	31.14 (791)
ATC12126S	ATC12126F	12.00 x 12.00 x 6.00 (305 x 305 x 152)	9.00 x 9.00 (228.60 x 228.60)	8.30 (211)	8.25 (210)
ATC18126S	ATC18126F	18.00 x 12.00 x 6.00 (455 x 305 x 152)	15.00 x 9.00 (381.00 x 228.60)	14.30 (363)	8.25 (210)
ATC18186S	ATC18186F	18.00 x 18.00 x 6.00 (455 x 455 x 152)	15.00 x 15.00 (381.00 x 381.00)	14.30 (363)	14.25 (362)
ATC24186S	ATC24186F	24.00 x 18.00 x 6.00 (610 x 455 x 152)	21.00 x 15.00 (533.40 x 381.00)	20.30 (516)	14.25 (362)
ATC24246S	ATC24246F	24.00 x 24.00 x 6.00 (610 x 610 x 152)	21.00 x 21.00 (533.40 x 533.40)	19.30 (490)	19.14 (486)
ATC30246S	ATC30246F	30.00 x 24.00 x 6.00 (762 x 610 x 152)	27.00 x 21.00 (685.80 x 533.40)	25.30 (643)	19.14 (486)
ATC30306S	ATC30306F	30.00 x 30.00 x 6.00 (762 x 762 x 152)	27.00 x 27.00 (685.80 x 685.80)	25.30 (643)	25.14 (639)
ATC36246S	ATC36246F	36.00 x 24.00 x 6.00 (914 x 610 x 152)	33.00 x 21.00 (838.20 x 533.40)	31.30 (795)	19.14 (486)
ATC36306S	ATC36306F	36.00 x 30.00 x 6.00 (914 x 762 x 152)	33.00 x 27.00 (838.20 x 685.80)	31.30 (795)	25.14 (639)
ATC36366S	ATC36366F	36.00 x 36.00 x 6.00 (914 x 914 x 152)	33.00 x 33.00 (838.20 x 838.20)	31.30 (795)	31.14 (791)
ATC36308S	ATC36308F	36.00 x 30.00 x 8.00 (914 x 610 x 203)	33.00 x 27.00 (838.20 x 685.80)	31.30 (795)	25.14 (639)

Millimeter dimensions ( ) are for reference only; do not convert metric dimensions to inch.  
a Combined width of two doors.



A Pentair Company

# Screw Cover Gasketed Boxes



### Construction

- 14 or 12 gauge G-90 grade galvanized steel bodies
- 12 or 10 gauge G-90 grade galvanized steel covers
- Seams continuously welded and ground smooth
- Captivated stainless steel cover screws thread into sealed wells
- No holes or knockouts
- Oil-resistant gasket and adhesive
- Grounding stud on inside back of box

### Finish

Bright galvanized finish. External welded seams have zinc-rich covering to provide protection that is equivalent to galvanized steel.

### Industry Standards

UL 508A, UL 508 Type 3 and Type 12  
 NEMA/EEMAC Type 3 and Type 12  
 (except for mounting provisions)  
 CSA Type 4 and Type 12  
 IEC 60529, IP66

### Accessories

Corrosion Inhibitors  
 Electric Heater  
 Grounding Device  
 Mounting Foot Kit

### Application

Designed for use as a wiring box, junction box, pull box, and terminal box in many indoor or outdoor applications where dust or moisture is a problem.

## Standard Sizes Screw Cover Gasketed Boxes

Box Catalog Number	Body Gauge	Cover Gauge	Box Size A x B x C	Number of Cover Screws
A664GSC	14	12	6.00 x 6.00 x 4.00 (152 x 152 x 102)	4
A864GSC	14	12	8.00 x 6.00 x 4.00 (203 x 152 x 102)	4
A884GSC	14	12	8.00 x 8.00 x 4.00 (203 x 203 x 102)	4
A1084GSC	14	12	10.00 x 8.00 x 4.00 (254 x 203 x 102)	6
A10104GSC	14	12	10.00 x 10.00 x 4.00 (254 x 254 x 102)	8
A12124GSC	14	12	12.00 x 12.00 x 4.00 (305 x 305 x 102)	8
A666GSC	14	12	6.00 x 6.00 x 6.00 (152 x 152 x 152)	4
A886GSC	14	12	8.00 x 8.00 x 6.00 (203 x 203 x 152)	4
A10106GSC	14	12	10.00 x 10.00 x 6.00 (254 x 254 x 152)	8
A12106GSC	14	12	12.00 x 10.00 x 6.00 (305 x 254 x 152)	8
A12126GSC	14	12	12.00 x 12.00 x 6.00 (305 x 305 x 152)	8
A16126GSC	14	12	16.00 x 12.00 x 6.00 (406 x 305 x 152)	8
A16166GSC	14	10	16.00 x 16.00 x 6.00 (406 x 406 x 152)	8
A18186GSC	14	10	18.00 x 18.00 x 6.00 (457 x 457 x 152)	8
A20166GSC	14	10	20.00 x 16.00 x 6.00 (508 x 406 x 152)	8

Millimeter dimensions ( ) are for reference only; do not convert metric dimensions to inch.



**Standard Sizes Screw Cover Gasketed Boxes (Cont.)**

Box Catalog Number	Body Gauge	Cover Gauge	Box Size A x B x C	Number of Cover Screws
A24246GSC	14	10	24.00 x 24.00 x 6.00 (610 x 610 x 152)	12
A888GSC	14	12	8.00 x 8.00 x 8.00 (152 x 152 x 203)	4
A10108GSC	14	12	10.00 x 10.00 x 8.00 (203 x 152 x 203)	8
A12128GSC	14	12	12.00 x 12.00 x 8.00 (203 x 203 x 203)	8
A16168GSC	14	10	16.00 x 16.00 x 8.00 (406 x 406 x 203)	8
A20208GSC	14	10	20.00 x 20.00 x 8.00 (508 x 508 x 203)	8
A24208GSC	14	10	24.00 x 20.00 x 8.00 (610 x 508 x 203)	10
A24248GSC	14	10	24.00 x 24.00 x 8.00 (610 x 610 x 203)	12
A30248GSC	14	10	30.00 x 24.00 x 8.00 (762 x 610 x 203)	12
A242410GSC	14	10	24.00 x 24.00 x 10.00 (610 x 610 x 254)	12
A121212GSC	14	12	12.00 x 12.00 x 12.00 (305 x 305 x 305)	8
A161612GSC	14	10	16.00 x 16.00 x 12.00 (406 x 406 x 305)	8
A202012GSC	14	10	20.00 x 20.00 x 12.00 (508 x 508 x 305)	8
A242412GSC	14	10	24.00 x 24.00 x 12.00 (610 x 610 x 305)	12
A303012GSC	12	10	30.00 x 30.00 x 12.00 (762 x 762 x 305)	12
A363612GSC	12	10	36.00 x 36.00 x 12.00 (914 x 914 x 305)	16

Millimeter dimensions ( ) are for reference only; do not convert metric dimensions to inch.



A Pentair Company

Rev. A October 2004

# Screw Cover Type 3R Enclosures



## Application

Designed for use as a wiring box and junction box. Enclosure provides protection in outdoor installations against rain, sleet, and snow, or indoors against dripping water.

## Construction

- 16, 14, or 12 gauge galvanized steel
- Drip shield top and seam-free sides, front, and back
- Slip-on removable cover fastened with plated steel screws along bottom edge
- Door handles on all 12 gauge enclosures and selected 14 gauge enclosures (see Table)
- Embossed mounting holes on back of enclosure
- Knockouts in bottom of 16 and 14 gauge enclosures
- Provision for padlocking
- No gasketing

## Finish

ANSI 61 gray polyester powder paint finish inside and out over phosphatized surfaces.

## Industry Standards

UL 50, File No. E27525, Type 3R  
 NEMA/EEMAC Type 3R  
 cUL CSA C22.2 No. 94, File No. E27525, Type 3R  
 IEC 60529, IP32

## Accessories

Corrosion Inhibitors  
 Electric Heater  
 Grounding Device  
 Mounting Foot Kit (see p. 7.22)  
 Touch-Up Paint (ATPPY61)

## Standard Sizes Screw Cover Type 3R Enclosures

Enclosure Catalog Number	With Knockouts	Without Knockouts	Body Style	Enclosure Size A x B x C inch	D (millimeter)	H inch (mm)	Mounting				Knockout Pattern
							J inch (mm)	inch (mm)	inch (mm)	inch (mm)	
A4R44		A4R44NK	A	4.00 x 4.00 x 4.00	(102 x 102 x 102)	—	—	1.88 (48)	2.00 (51)		B-C
A6R44		—	A	6.00 x 4.00 x 4.00	(152 x 102 x 102)	—	—	1.88 (48)	1.06 (27)		B-C
A12R44		A12R44NK	A	12.00 x 4.00 x 4.00	(305 x 102 x 102)	—	—	1.88 (48)	1.06 (27)		B-C
A6R64		A6R64NK	A	6.00 x 6.00 x 4.00	(152 x 152 x 102)	—	—	2.25 (57)	1.06 (27)		B-C-D
A8R64		A8R64NK	A	8.00 x 6.00 x 4.00	(203 x 152 x 102)	—	—	2.25 (57)	1.06 (27)		B-C-D
A8R84		A8R84NK	A	8.00 x 8.00 x 4.00	(203 x 203 x 102)	—	—	2.25 (57)	1.06 (27)		F-G-H-I
A10R84		A10R84NK	A	10.00 x 8.00 x 4.00	(254 x 203 x 102)	—	—	2.25 (57)	1.06 (27)		F-G-H-I
A12R84		A12R84NK	A	12.00 x 8.00 x 4.00	(305 x 203 x 102)	—	—	2.25 (57)	1.06 (27)		F-G-H-I
A10R104		A10R104NK	A	10.00 x 10.00 x 4.00	(254 x 254 x 102)	—	—	2.25 (57)	1.06 (27)		C-D-E-F-G
A12R104		A12R104NK	A	12.00 x 10.00 x 4.00	(305 x 254 x 102)	—	—	2.25 (57)	1.06 (27)		C-D-E-F-G
A12R124		A12R124NK	A	12.00 x 12.00 x 4.00	(305 x 305 x 102)	—	—	2.25 (57)	1.06 (27)		C-D-E-F-G
A18R124		—	A	18.00 x 12.00 x 4.00	(457 x 305 x 102)	—	—	2.25 (57)	1.06 (27)		C-D-E-F-G
A18R184		A18R184NK	B	18.00 x 18.00 x 4.00	(457 x 457 x 102)	—	—	13.00 (330)	1.12 (28)		A-B-C-D-E-F-G-H-I
A6R66		A6R66NK	A	6.00 x 6.00 x 6.00	(152 x 152 x 152)	—	—	2.25 (57)	1.06 (27)		B-C-D
A18R66		A18R66NK	A	18.00 x 6.00 x 6.00	(457 x 152 x 152)	—	—	2.25 (57)	1.06 (27)		B-C-D
A8R86		A8R86NK	A	8.00 x 8.00 x 6.00	(203 x 203 x 152)	—	—	2.25 (57)	1.06 (27)		F-G-H-I
A10R86		A10R86NK	A	10.00 x 8.00 x 6.00	(254 x 203 x 152)	—	—	2.25 (57)	1.06 (27)		F-G-H-I
A10R106		A10R106NK	A	10.00 x 10.00 x 6.00	(254 x 254 x 152)	—	—	2.25 (57)	1.06 (27)		C-D-E-F-G
A12R86		—	A	12.00 x 8.00 x 6.00	(305 x 203 x 152)	—	—	2.25 (57)	1.06 (27)		F-G-H-I
A12R106		A12R106NK	A	12.00 x 10.00 x 6.00	(305 x 254 x 152)	—	—	2.25 (57)	1.06 (27)		C-D-E-F-G
A12R126		A12R126NK	A	12.00 x 12.00 x 6.00	(305 x 305 x 152)	—	—	2.25 (57)	1.06 (27)		C-D-E-F-G
A15R126		A15R126NK	A	15.00 x 12.00 x 6.00	(381 x 305 x 152)	—	—	2.25 (57)	1.06 (27)		C-D-E-F-G
A16R126		A16R126NK	A	16.00 x 12.00 x 6.00	(406 x 305 x 152)	—	—	2.25 (57)	1.06 (27)		C-D-E-F-G
A18R126		A18R126NK	A	18.00 x 12.00 x 6.00	(457 x 305 x 152)	—	—	2.25 (57)	1.06 (27)		C-D-E-F-G
A18R186		A18R186NK	B	18.00 x 18.00 x 6.00	(457 x 457 x 152)	—	—	13.00 (330)	1.12 (28)		A-B-C-D-E-F-G-H-I
A24R126		—	B	24.00 x 12.00 x 6.00	(610 x 305 x 152)	—	—	13.00 (330)	1.12 (28)		C-D-E-F-G
A24R186		A24R186NK	B	24.00 x 18.00 x 6.00	(610 x 457 x 152)	—	—	13.00 (330)	1.12 (28)		A-B-C-D-E-F-G-H-I
A24R246		A24R246NK	B	24.00 x 24.00 x 6.00	(610 x 610 x 152)	—	—	13.00 (330)	1.12 (28)		A-B-C-D-E-F-G-H-I
A8R88		A8R88NK	A	8.00 x 8.00 x 8.00	(203 x 203 x 203)	—	—	2.25 (1.06)	1.06 (27)		F-G-H-I
A24R88		A24R88NK	A	24.00 x 8.00 x 8.00	(610 x 203 x 203)	—	—	2.25 (1.06)	1.06 (27)		F-G-H-I
A12R128		A12R128NK	A	12.00 x 12.00 x 8.00	(305 x 305 x 203)	—	—	2.25 (57)	1.06 (27)		C-D-E-F-G
A15R128		A15R128NK	A	15.00 x 12.00 x 8.00	(381 x 305 x 203)	—	—	2.25 (57)	1.06 (27)		C-D-E-F-G

Millimeter dimensions ( ) are for reference only; do not convert metric dimensions to inch.

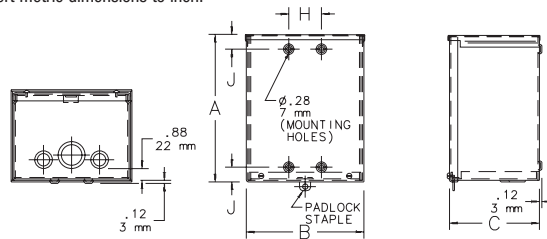


**Standard Sizes Screw Cover Type 3R Enclosures (Cont.)**

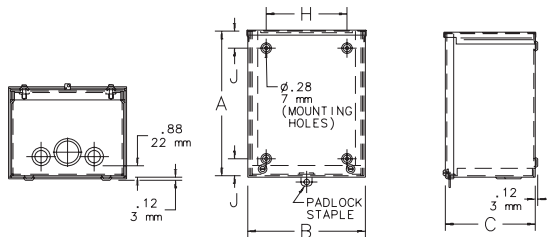
Enclosure Catalog Number With Knockouts	Enclosure Catalog Number Without Knockouts	Body Style	Enclosure Size A x B x C		D		Mounting H		J		Knockout Pattern
			inch	(millimeter)	inch	(mm)	inch	(mm)	inch	(mm)	
A18R128	A18R128NK	A	18.00 x 12.00 x 8.00	(457 x 305 x 203)	—	—	2.25	(57)	1.12	(28)	C-D-E-F-G
A24R168	—	B	18.00 x 16.00 x 8.00	(457 x 406 x 203)	—	—	13.00	(330)	1.12	(28)	C-D-E-F-G
A18R188	A18R188NK	B	18.00 x 18.00 x 8.00	(457 x 457 x 203)	—	—	13.00	(330)	1.12	(28)	A-B-C-D-E-F-G-H-I
A24R188	A24R188NK	B	24.00 x 18.00 x 8.00	(610 x 457 x 203)	—	—	13.00	(330)	1.12	(28)	A-B-C-D-E-F-G-H-I
A24R208	A24R208NK	B	24.00 x 20.00 x 8.00	(610 x 508 x 203)	—	—	13.00	(330)	1.12	(28)	A-B-C-D-E-F-G-H-I
A24R248	A24R248NK	C	24.00 x 24.00 x 8.00	(610 x 610 x 203)	—	—	13.00	(330)	1.12	(28)	A-B-C-D-E-F-G-H-I
A30R248	A30R248NK	C	30.00 x 24.00 x 8.00	(762 x 610 x 203)	—	—	13.00	(330)	1.12	(28)	A-B-C-D-E-F-G-H-I
A48R368	A48R368NK	C	48.00 x 36.00 x 8.00	(1219 x 914 x 203)	—	—	33.0	(838)	1.50	(38)	A-B-C-D-E-F-G-H-I
A18R1810	—	C	18.00 x 18.00 x 10.00	(457 x 457 x 254)	—	—	13.00	(330)	1.12	(28)	A-B-C-D-E-F-G-H-I
A24R1810	—	C	24.00 x 18.00 x 10.00	(610 x 457 x 254)	—	—	13.00	(330)	1.12	(28)	A-B-C-D-E-F-G-H-I
A24R2410	A24R2410NK	C	24.00 x 24.00 x 10.00	(610 x 610 x 254)	—	—	13.00	(330)	1.12	(28)	A-B-C-D-E-F-G-H-I
A30R2410	—	C	30.00 x 24.00 x 10.00	(762 x 610 x 254)	—	—	13.00	(330)	1.50	(38)	A-B-C-D-E-F-G-H-I
A24R2412	A24R2412NK	C	24.00 x 24.00 x 12.00	(610 x 610 x 305)	—	—	13.00	(330)	1.12	(28)	A-B-C-D-E-F-G-H-I
A30R3012	A30R3012NK	C	30.00 x 30.00 x 12.00	(762 x 762 x 305)	15.19	(386)	27.00	(686)	1.50	(38)	A-B-C-D-E-F-G-H-I
A36R3012	A36R3012NK	C	36.00 x 30.00 x 12.00	(914 x 762 x 305)	18.19	(462)	27.00	(686)	1.50	(38)	A-B-C-D-E-F-G-H-I
A36R3612	A36R3612NK	C	36.00 x 36.00 x 12.00	(914 x 914 x 305)	18.19	(462)	33.00	(838)	1.50	(38)	A-B-C-D-E-F-G-H-I
A30R3016	A30R3016NK	C	30.00 x 30.00 x 16.00	(762 x 762 x 406)	15.19	(386)	27.00	(686)	1.50	(38)	A-B-C-D-E-F-G-H-I
A48R3616	A48R3616NK	C	48.00 x 36.00 x 16.00	(1219 x 914 x 406)	24.19	(614)	33.00	(838)	1.50	(38)	A-B-C-D-E-F-G-H-I

Millimeter dimensions ( ) are for reference only; do not convert metric dimensions to inch.

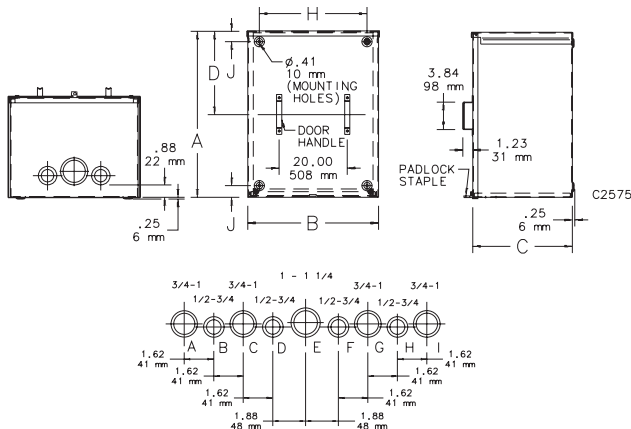
■ **Body Style A**



■ **Body Style B**



■ **Body Style C**





A Pentair Company

# Current Transformer Screw Cover Enclosures



### Application

Designed as a housing for instrument current transformers which are frequently required for transformer-rated watt-hour metering. Additional applications include use as a junction or service box and meter, transformer, relay, or terminal assembly housing. Enclosure provides protection in outdoor installations against rain, sleet and snow, or indoors against dripping water.

### Construction

- 16 gauge, 14 gauge, or 12 gauge galvanized steel
- Dripshield top and seam-free sides, front, and back
- Slip-on removable cover fastened with captivated plated steel screws along bottom edge
- Mounting holes on back of enclosure
- Mounting studs on enclosure body are provided for utility current transformer mounting equipment
- Door handles provided
- Provisions for padlocking
- No gasketing or knockouts
- Ground lug

### Industry Standards

UL 50, File No. E27525, Type 3R  
NEMA Type 3R  
IEC 60529, IP32

### Accessories

Corrosion Inhibitors  
Grounding Device  
Touch-Up Paint (ATPPY61)

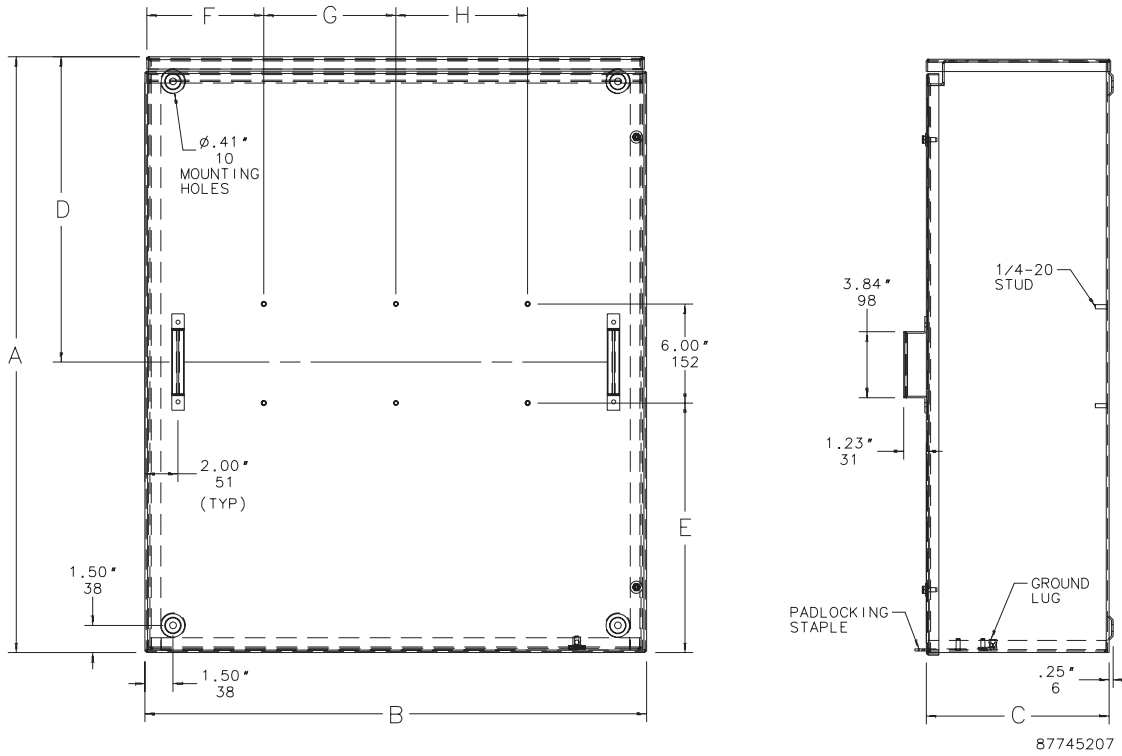
### Finish

ANSI 61 gray polyester powder paint finish inside and out over phosphatized surfaces.

## Standard Sizes Current Transformer Screw Cover Enclosures

Enclosure Catalog Number	Enclosure Size A x B x C	D	E	F	G	H
A242411CT	24.00 x 24.00 x 11.00 (610 x 610 x 279)	12.19 (310)	9.00 (229)	8.00 (203)	8.00 (203)	—
A303011CT	30.00 x 30.00 x 11.00 (762 x 762 x 279)	15.19 (386)	12.00 (305)	7.00 (178)	8.00 (203)	8.00 (203)
A363011CT	36.00 x 30.00 x 11.00 (914 x 762 x 279)	18.19 (462)	15.00 (381)	7.00 (178)	8.00 (203)	8.00 (203)
A363611CT	36.00 x 36.00 x 11.00 (914 x 914 x 279)	18.19 (462)	15.00 (381)	10.00 (254)	8.00 (203)	8.00 (203)
A483611CT	48.00 x 36.00 x 11.00 (1219 x 914 x 279)	24.19 (614)	21.00 (533)	10.00 (254)	8.00 (203)	8.00 (203)

Millimeter dimensions ( ) are for reference only; do not convert metric to inch.





A Pentair Company

# Current Transformer Hinged Cover Enclosures



## Application

Designed as a housing for instrument current transformers which are frequently required for transformer-rated watt-hour metering. Additional applications include use as a junction or service box and meter, transformer, relay, or terminal assembly housing. Enclosure provides protection in outdoor installations against rain, sleet and snow, or indoors against dripping water.

## Construction

- 14 or 12 gauge galvanized steel
- Dripshield top and seam-free sides, front, and back
- Door handles provided
- Mounting holes on back of enclosure
- Provisions for padlocking
- No gasketing or knockouts
- Ground lug
- Mounting studs are provided on the enclosure body for utility current transformer mounting equipment
- Cover is removable in the open position
- Mounting provisions for optional door stop

## Industry Standards

UL 50, File No. E27525, Type 3R  
NEMA Type 3R  
IEC 60529, IP32

## Accessories

Corrosion Inhibitors  
Grounding Device  
Touch-Up Paint (ATPPY61)  
Large Enclosure Door Stop Kit (ALGDSTOP)

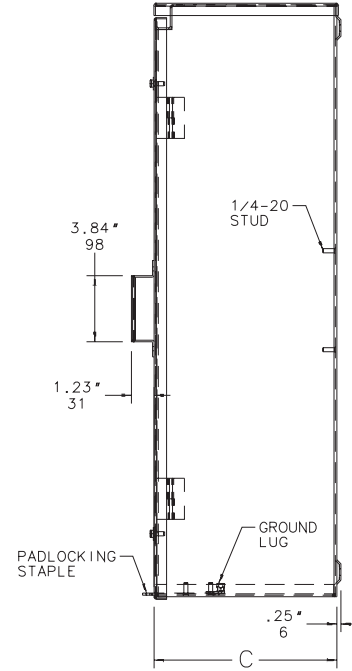
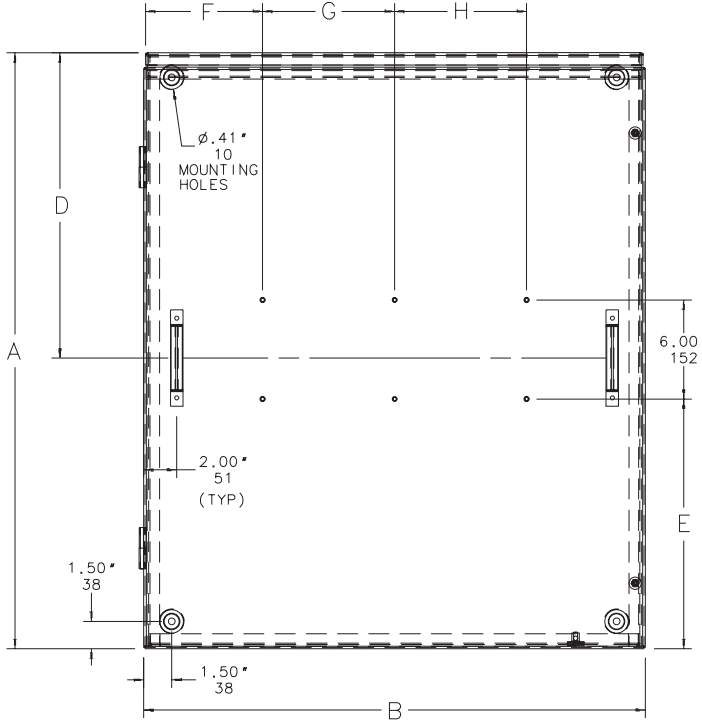
## Finish

ANSI 61 gray polyester powder paint finish inside and out over phosphatized surfaces.

### Standard Sizes Current Transformer Hinged Cover Enclosures

Enclosure Catalog Number	Gauge	Enclosure Size A x B x C	D	E	F	G	H
A362011HCT	14	36.00 x 20.00 x 11.00 (914 x 508 x 279)	18.75 (476)	15.00 (381)	6.67 (169)	8.00 (203)	—
A302411HCT	14	30.00 x 24.00 x 11.00 (762 x 610 x 279)	15.75 (400)	12.00 (305)	8.00 (203)	8.00 (203)	—
A482411HCT	14	48.00 x 24.00 x 11.00 (1219 x 610 x 279)	24.75 (629)	21.00 (533)	8.00 (203)	8.00 (203)	—
A363011HCT	12	36.00 x 30.00 x 11.00 (914 x 762 x 279)	18.75 (476)	15.00 (381)	7.00 (178)	8.00 (203)	8.00 (203)
A483011HCT	12	48.00 x 30.00 x 11.00 (1219 x 762 x 279)	24.75 (629)	21.00 (533)	7.00 (178)	8.00 (203)	8.00 (203)
A363611HCT	12	36.00 x 36.00 x 11.00 (914 x 914 x 279)	18.75 (476)	15.00 (381)	10.00 (254)	8.00 (203)	8.00 (203)
A483611HCT	12	48.00 x 36.00 x 11.00 (1219 x 914 x 279)	24.75 (629)	21.00 (533)	10.00 (254)	8.00 (203)	8.00 (203)

Millimeter dimensions ( ) are for reference only; do not convert metric to inch.



87747106



A Pentair Company

Rev. A June 2003

# Hinged Cover Type 3R Small Enclosures



## Application

Designed for use as a wiring box and junction box. Enclosure provides protection in outdoor installations against rain, sleet and snow, or indoors against dripping water.

## Construction

- 16 gauge galvanized steel
- Drip-shield top and seam-free sides, front, and back
- Galvanized steel hinge has stainless steel pin
- Provisions for padlocking on zinc-plated draw pull catch
- Knockouts on bottom of enclosure
- No gasketing
- Weldnuts provided for mounting optional panels

## Industry Standards

UL 50, File No. E27567, Type 3R  
 NEMA/EEMAC Type 3R  
 cUL CSA C22.2 No. 94, File No. E27525, Type 3R  
 IEC 60529, IP32

## Accessories

Corrosion Inhibitors  
 Grounding Device  
 Panels (see Table)  
 Touch-Up Paint (ATPPY61)

## Finish

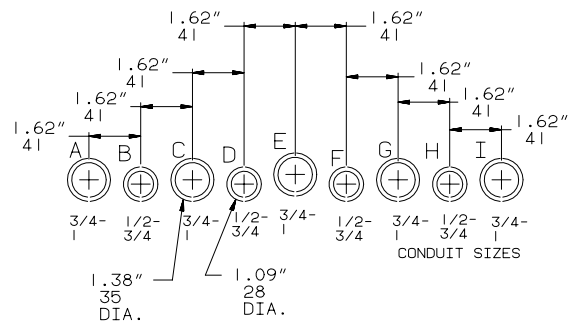
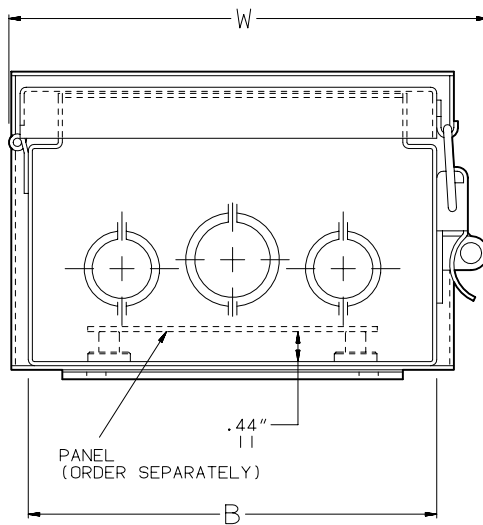
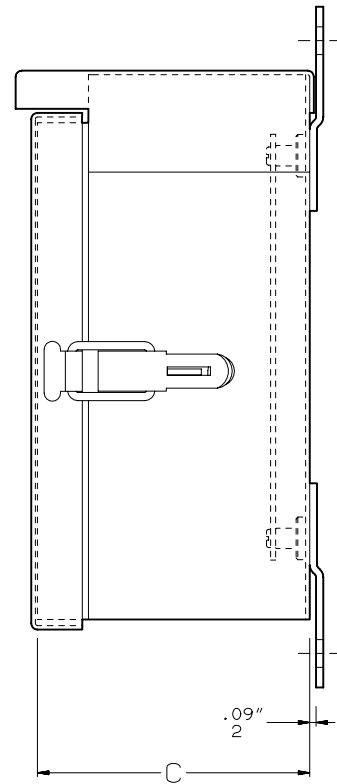
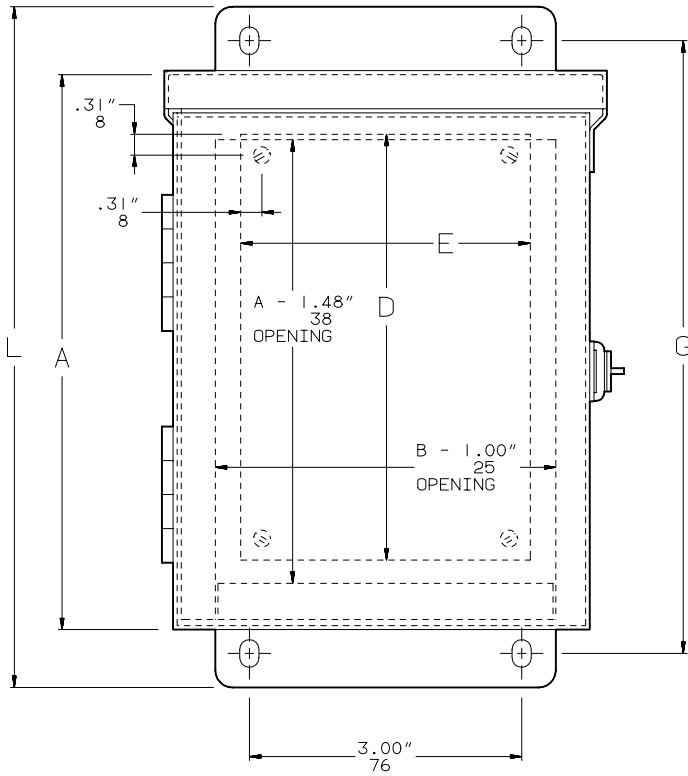
ANSI 61 gray polyester powder paint finish inside and out over galvanized steel. Unless otherwise specified, all custom hinged cover Type 3R small enclosures are finished with ANSI 61 gray polyester powder paint. Optional solid panels are white and optional perforated panels are gray.

## Standard Sizes Hinged Cover Type 3R Small Enclosures

Enclosure Catalog Number	Enclosure Size A x B x C	* Panel Catalog Number	* Perf. Panel Catalog Number	Panel Size D x E	Mounting G	Overall L x W	Knockout Pattern
A6R44HCR	6.00 x 4.00 x 4.00 (152 x 102 x 102)	A6N4P	A6N4PP	4.25 x 2.25 (108 x 57)	7.00 (178)	8.00 x 4.81 (203 x 122)	BCD
A6R64HCR	6.00 x 6.00 x 4.00 (152 x 152 x 102)	A6N6P	A6N6PP	4.25 x 4.25 (108 x 108)	7.00 (178)	8.00 x 6.81 (203 x 173)	BCD
A8R64HCR	8.00 x 6.00 x 4.00 (203 x 152 x 102)	A8N6P	A8N6PP	6.25 x 4.25 (159 x 108)	9.00 (229)	10.00 x 6.81 (254 x 173)	BCD
A8R86HCR	8.00 x 8.00 x 6.00 (203 x 203 x 152)	A8N8P	A8N8PP	6.25 x 6.25 (159 x 159)	9.00 (229)	10.00 x 8.81 (254 x 224)	FGHI
A10R86HCR	10.00 x 8.00 x 6.00 (254 x 203 x 152)	A10N8P	A10N8PP	8.25 x 6.25 (210 x 159)	11.00 (279)	12.00 x 8.81 (305 x 224)	FGHI
A12R106HCR	12.00 x 10.00 x 6.00 (305 x 254 x 152)	A12N10P	A12N10PP	10.25 x 8.25 (260 x 210)	13.00 (330)	14.00 x 10.81 (356 x 275)	CDEFG
A12R126HCR	12.00 x 12.00 x 6.00 (305 x 305 x 152)	A12N12P	A12N12PP	10.25 x 10.25 (260 x 260)	13.00 (330)	14.00 x 12.81 (356 x 325)	CDEFG
A12R1210HCR	12.00 x 12.00 x 10.00 (305 x 305 x 254)	A12N12P	A12N12PP	9.00 x 9.00 (229 x 229)	13.00 (330)	14.00 x 12.81 (356 x 325)	CDEFG

Millimeter dimensions ( ) are for reference only; do not convert metric dimensions to inch.

\* Panels must be ordered separately.



**Knockout Pattern**  
(from outside of box)

C2577

NOTE: Refer to Table for applicable knockout pattern.

7



A Pentair Company

Rev. A June 2003

# Hinged Cover Type 3R Medium Enclosures



## Application

Designed for use as a wiring box and junction box. Enclosure provides protection in outdoor installations against rain, sleet, and snow, or indoors against dripping water.

## Construction

- 16 gauge or 14 gauge galvanized steel
- Drip shield top and seam-free sides, front, and back protect from rain, snow, or sleet
- 16 gauge galvanized steel continuous hinge has stainless steel pin
- Cover fastened securely with captive plated steel screws
- Hasp and staple provided for padlocking
- No gasketing or knockouts
- Collar studs provided for mounting optional panels

## Finish

ANSI 61 gray polyester powder paint finish inside and out over galvanized steel. Optional solid panels are white.

## Industry Standards

UL 50, File No. E27567, Type 3R  
 NEMA/EEMAC Type 3R  
 cUL CSA C22.2 No. 94, File No. E27525, Type 3R  
 IEC 60529, IP32

## Accessories

Corrosion Inhibitors  
 Electric Heater  
 Grounding Device  
 Lock Kit (Keylock) for Type 12  
 Panel Support Kit  
 Panels (see Table)  
 Rack Mounting Angle Kit  
 Terminal Kit Assembly  
 Touch-Up Paint (ATPPY61)  
 Window Kit

## Standard Sizes Hinged Cover Type 3R Medium Enclosures

Enclosure Catalog Number	Enclosure Size A x B x C	* Panel Catalog Number	Panel Size D x E	Mounting G x H	Overall L	Body Stiffener
† A16R126HCR	16.00 x 12.00 x 6.00 (406 x 305 x 152)	A16P12	13.00 x 9.00 (330 x 229)	17.00 x 5.00 (432 x 127)	18.00 (457)	0
† A16R166HCR	16.00 x 16.00 x 6.00 (406 x 406 x 152)	A16P16	13.00 x 13.00 (330 x 330)	17.00 x 13.00 (432 x 330)	18.00 (457)	0
† A18R186HCR	18.00 x 18.00 x 6.00 (457 x 457 x 152)	A18P18	15.00 X 15.00 (381 x 381)	19.00 X 13.00 (483 x 330)	20.00 (508)	0
† A20R166HCR	20.00 x 16.00 x 6.00 (508 x 406 x 152)	A20P16	17.00 x 13.00 (432 x 330)	21.00 x 13.00 (533 x 330)	22.00 (559)	0
† A20R208HCR	20.00 x 20.00 x 8.00 (508 x 508 x 203)	A20P20	17.00 x 17.00 (432 x 432)	21.00 x 13.00 (533 x 330)	22.00 (559)	0
† A24R208HCR	24.00 x 20.00 x 8.00 (610 x 508 x 203)	A24P20	21.00 x 17.00 (533 x 432)	25.00 x 13.00 (635 x 330)	26.00 (660)	0
† A24R248HCR	24.00 x 24.00 x 8.00 (610 x 610 x 203)	A24P24	21.00 x 21.00 (533 x 533)	25.00 x 13.00 (635 x 330)	26.00 (660)	0
A30R248HCR	30.00 x 24.00 x 8.00 (762 x 610 x 203)	A30P24	27.00 x 21.00 (686 x 533)	31.00 x 13.00 (787 x 330)	32.00 (813)	0
A30R308HCR	30.00 x 30.00 x 8.00 (752 x 752 x 203)	A30P30	27.00 x 27.00 (686 x 686)	31.00 x 27.00 (787 X 686)	32.00 (813)	1
A18R1810HCR	18.00 x 18.00 x 10.00 (457 x 457 x 254)	A18P18	15.00 x 15.00 (381 x 381)	19.00 x 13.00 (483 x 330)	20.00 (508)	0
A24R2410HCR	24.00 x 24.00 x 10.00 (610 x 610 x 254)	A24P24	21.00 x 21.00 (533 x 533)	25.00 x 13.00 (635 x 330)	26.00 (660)	0
A30R2410HCR	30.00 x 24.00 x 10.00 (762 x 610 x 254)	A30P24	27.00 x 21.00 (686 x 533)	31.00 x 13.00 (787 x 330)	32.00 (813)	0
A36R3610HCR	36.00 x 36.00 x 10.00 (914 x 914 x 254)	A36P36	33.00 x 33.00 (838 x 838)	37.00 x 30.00 (940 x 762)	38.00 (965)	1
A30R3012HCR	30.00 x 30.00 x 12.00 (762 x 762 x 305)	A30P30	27.00 x 27.00 (686 x 686)	31.00 x 27.00 (787 x 686)	32.00 (813)	1
A36R2412HCR	36.00 x 24.00 x 12.00 (914 x 610 x 305)	A36P24	33.00 x 21.00 (838 x 533)	37.00 x 13.00 (940 x 330)	38.00 (965)	1

Millimeter dimensions ( ) are for reference only; do not convert metric dimensions to inch.

\* Panels must be ordered separately. Optional aluminum panels are available for most sizes. See General Accessories.

† Certified by Canadian Standards Association.





























