

**Dry Type**

**Open Core and Coil**  
**Class 7400**



www.SquareD.com

For the most up-to-date information

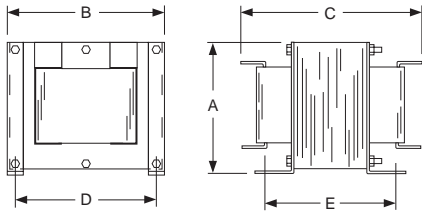


Figure 1

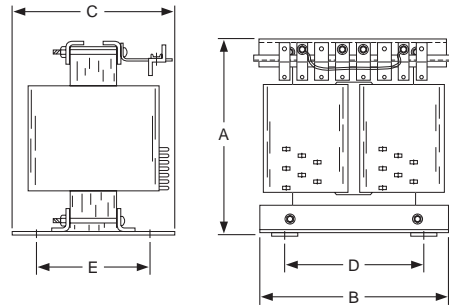


Figure 2

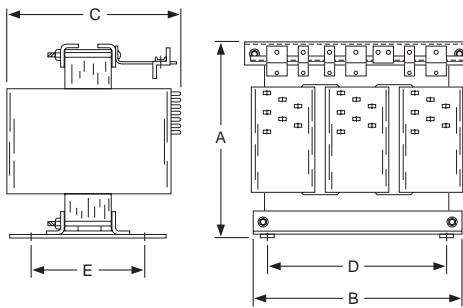


Figure 3

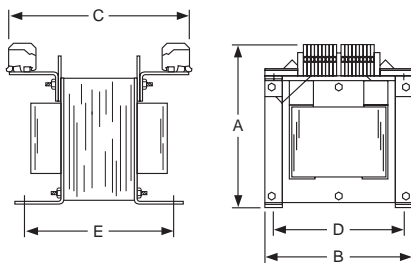


Figure 4

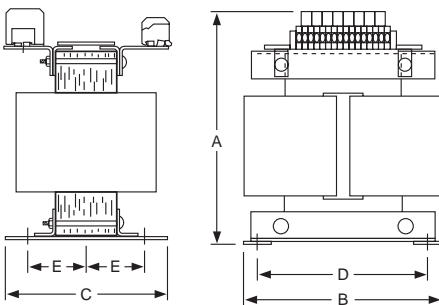


Figure 5

**Open Core and Coil Transformers Designed for General Applications for 600 V and Below**

Units are designed with 220°C insulation, aluminum windings, top terminations, compact design to save space, UL component recognized, and available in single phase 5 to 75 kVA and three phase 3 to 112.5 kVA. We also have single phase units designed to meet EN-61558-1 and units are CE compliant and carry the CE mark 6.7 to 25 kVA.

**Single Phase Open Core and Coil Transformers—**  
**240 X 480 V Primary 120/240 V Secondary 60 Hz**

kVA	Catalog Number	Price	Degree C Temp. Rise	Full Capacity Taps	Dimensions (Inches)♦					Weight (lbs)	Figure
					A	B	C	D	E		
5	5S1HFOC	\$1434.	115	none	8.0	9.0	11.0	8.0	8.0	66	1
7.5	7S1HFOC	1531.	115	none	8.0	9.0	14.25	8.0	8.5	80	1
10	10S1HFOC	1698.	115	none	8.0	9.0	14.25	8.0	8.5	100	1
15	15S1HOC	1843.	150	none	14.5	14.0	12.5	13.0	8.5	110	2
25	25S3HOC	2164.	150	6-2.5% 2+4-★	14.5	14.0	12.5	13.0	8.5	120	2
37.5	37S3HOC	2882.	150	6-2.5% 2+4-★	19.0	16.5	16.0	13.0	11.0	230	2
50	50S3HOC	3508.	150	6-2.5% 2+4-★	19.0	18.0	17.0	13.0	13.5	260	2
75	75S3HOC	4755.	150	6-2.5% 2+4-★	19.0	28.0	17.0	13.0	13.5	565	2

**Three Phase Open Core and Coil Transformers**

kVA	Catalog Number	Price	Degree C Temp. Rise	Dimensions (Inches)♦					Weight (lbs)	Figure
				A	B	C	D	E		
3	3T( )HFOC	\$1110.	115	8.0	9.0	6.5	7.00	4.75	45	3
6	6T( )HFOC	1273.	115	9.5	10.5	8.5	8.25	5.50	80	
9	9T( )HFOC	1712.	115	13.0	18.0	12.5	16.00	8.50	120	
15	15T( )HOC	2017.	150	13.0	18.0	12.5	16.00	8.50	120	
30	30T( )HOC	2835.	150	14.0	18.0	12.5	16.00	8.50	170	3
45	45T( )HOC	3413.	150	14.5	18.0	15.0	16.00	8.50	260	
75	75T( )HOC	5140.	150	19.5	21.0	16.0	16.00	11.00	365	
112.5	112T( )HOC	6845.	150	19.5	21.0	19.0	16.00	11.00	565	

Voltage Code	Voltages		Full Capacity Taps
	Primary	Secondary	
12	240	208Y/120	4-2.5% 2+2-
3	480	208Y/120	6-2.5% 2+4-
8	600	208Y/120	4-2.5% FCBN

To Complete Catalog Number:

1. Select the voltage required from chart.
2. Insert the voltage code number in place of the ( ) in the catalog number.

**Single Phase Open Core and Coil Transformers, Units comply with CE specification EN-61558-1**

These models are designed to accommodate voltage systems worldwide. 190/200/208/220x380/400/416/440 V Primary 110/220 V Secondary 50/60 Hz—UL Listed.

kVA ▼	Catalog Number	Price	Degree C Temp. Rise	Dimensions (Inches) ♦					Weight (lbs)	Figure	
				A	B	C	D	E			Slot
6.7	EN6S67HFOC	\$1990.	115	10.0	9.0	11.25	8.0	9.12	.44 X .88	88	4
16	EN16S67HOC	2396.	150	16.5	15.0	12.50	13.0	4.50	.56 X 1.0	130	5
25	EN25S67HOC	2814.	150	17.5	15.0	12.50	13.0	4.50	.56 X 1.0	225	5

♦ Not for construction. Contact your nearest Square D/Schneider Electric sales office for certified prints.  
 ★ When 240 volt tap is used there will be 3-5% taps, 1 above and 2 below.  
 ▼ kVA per EN-61558-1 and UL 1561.  
 FCBN: Full capacity below normal