

Type T MultiTap™ Universal Control Transformer

Features:

- Stocked in a wide variety of sizes
- Derives 120 or near 120V control power from a wide variety of supply voltages
- Compatible with Square D FINGERSAFE® Covers
- Compatible with Square D Control Power Fuse Kits
- Competitively priced with other universal control power transformers on the market
- Meets the following markings/approvals: UL, CUL, CSA, CE, NOM, TUV
- Manufactured in ISO9001-approved manufacturing facility

Universal Voltage Code D50:

- *Primary* 240/416/480/600V to *Secondary* 99/120/130V
- *Primary* 230/400/460/575V to *Secondary* 95/115/125V
- *Primary* 220/380/440/550V to *Secondary* 91/100/120V
- *Primary* 208/500V to *Secondary* 85/100/110V



Maximum application flexibility from a single unit, for any supply voltage level

The Type T MultiTap™ Universal Control Transformer allows 120V — or near 120V — control power from a wide variety of available source voltages. Broad voltage coverage allows the Multi-Tap Universal Control Transformer to meet a wide variety of applications regardless of the available voltage supply level. So you won't need to know the available supply voltage in order to select the best transformer solution to meet your application needs.

In many applications, details such as the available supply voltage may be difficult to obtain and can often delay a project due to the lack of information. When using the MultiTap Universal Control Transformer, you only need to know the size requirements of the application. For designers working on export projects, this feature can be quite valuable.

MultiTap Universal Control Transformer units are available in sizes ranging from 50 through 3000 VA, and Square D stocks 50, 100, 150, 250, 350 and 500 VA versions.



Schneider Electric Brands



SQUARE D
Schneider Electric

Type T MultiTap™ Universal Control Transformer

Figure 1

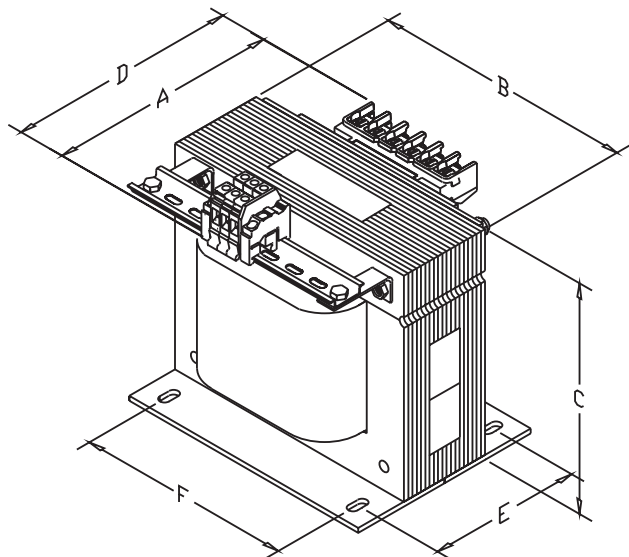
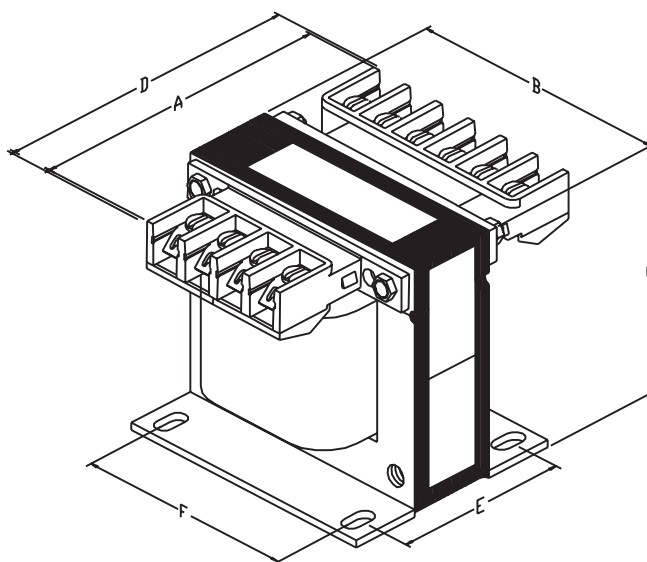



Figure 2



MultiTap™ Universal Control Transformer Dimensions

| VA | A | | B | | C | | E | | F | | Slots | | | | Figure | |
|------|------|-------|------|-------|------|-------|------|-------|------|-------|-------|------|----|------|--------|---|
| | in | mm | in | mm | in | mm | in | mm | in | mm | in | mm | in | mm | | |
| 50 | 4.19 | 106.4 | 3.43 | 87.1 | 2.89 | 73.4 | 2.38 | 60.5 | 2.81 | 71.4 | 0.2 | 5.1 | X | 0.48 | 12.2 | 2 |
| 75 | 4.88 | 124.0 | 3.75 | 95.3 | 3.2 | 81.3 | 2.88 | 73.2 | 3.13 | 79.5 | 0.2 | 5.1 | X | 0.38 | 9.7 | 2 |
| 100 | 5.25 | 133.4 | 3.75 | 95.3 | 3.25 | 82.6 | 2.88 | 73.2 | 3.13 | 79.5 | 0.2 | 5.1 | X | 0.38 | 9.7 | 2 |
| 150 | 4.7 | 119.4 | 4.5 | 114.3 | 3.8 | 96.5 | 2.56 | 65.0 | 3.75 | 95.3 | 0.2 | 5.1 | X | 0.38 | 9.7 | 2 |
| 200 | 5.09 | 129.3 | 4.5 | 114.3 | 3.8 | 96.5 | 3 | 76.2 | 3.75 | 95.3 | 0.2 | 5.1 | X | 0.38 | 9.7 | 2 |
| 250 | 5.09 | 129.3 | 4.5 | 114.3 | 3.8 | 96.5 | 3 | 76.2 | 3.75 | 95.3 | 0.2 | 5.1 | X | 0.38 | 9.7 | 2 |
| 300 | 5.46 | 138.7 | 4.5 | 114.3 | 3.8 | 96.5 | 3.56 | 90.4 | 3.75 | 95.3 | 0.2 | 5.1 | X | 0.38 | 9.7 | 2 |
| 350 | 5.66 | 143.8 | 5.25 | 133.4 | 4.43 | 112.5 | 3.43 | 87.1 | 4.38 | 111.3 | 0.28 | 7.1 | X | 0.56 | 14.2 | 2 |
| 500 | 5.66 | 143.8 | 5.25 | 133.4 | 4.43 | 112.5 | 3.43 | 87.1 | 4.38 | 111.3 | 0.28 | 7.1 | X | 0.56 | 14.2 | 2 |
| 750 | 6.04 | 153.4 | 5.25 | 133.4 | 4.43 | 112.5 | 4.31 | 109.5 | 4.38 | 111.3 | 0.28 | 7.1 | X | 0.56 | 14.2 | 2 |
| 1000 | 5.81 | 147.6 | 7.06 | 179.3 | 6.16 | 156.5 | 4.13 | 104.9 | 5.81 | 147.6 | 0.28 | 7.1 | X | 0.56 | 14.2 | 2 |
| 1500 | 7.04 | 178.8 | 7.06 | 179.3 | 6.16 | 156.5 | 4.56 | 115.8 | 5.81 | 147.6 | 0.28 | 7.1 | X | 0.56 | 14.2 | 2 |
| 2000 | 6.86 | 174.2 | 9 | 228.6 | 8.46 | 214.9 | 4.63 | 117.6 | 7.63 | 193.8 | 0.44 | 11.2 | X | 0.69 | 17.5 | 2 |
| 3000 | 8.73 | 221.7 | 9 | 228.6 | 8.46 | 214.9 | 6.56 | 166.6 | 7.63 | 193.8 | 0.44 | 11.2 | X | 0.69 | 17.5 | 1 |

Square D and  are registered trademarks, and MultiTap is a trademark, of Square D Company or related companies.



SQUARE D
Schneider Electric